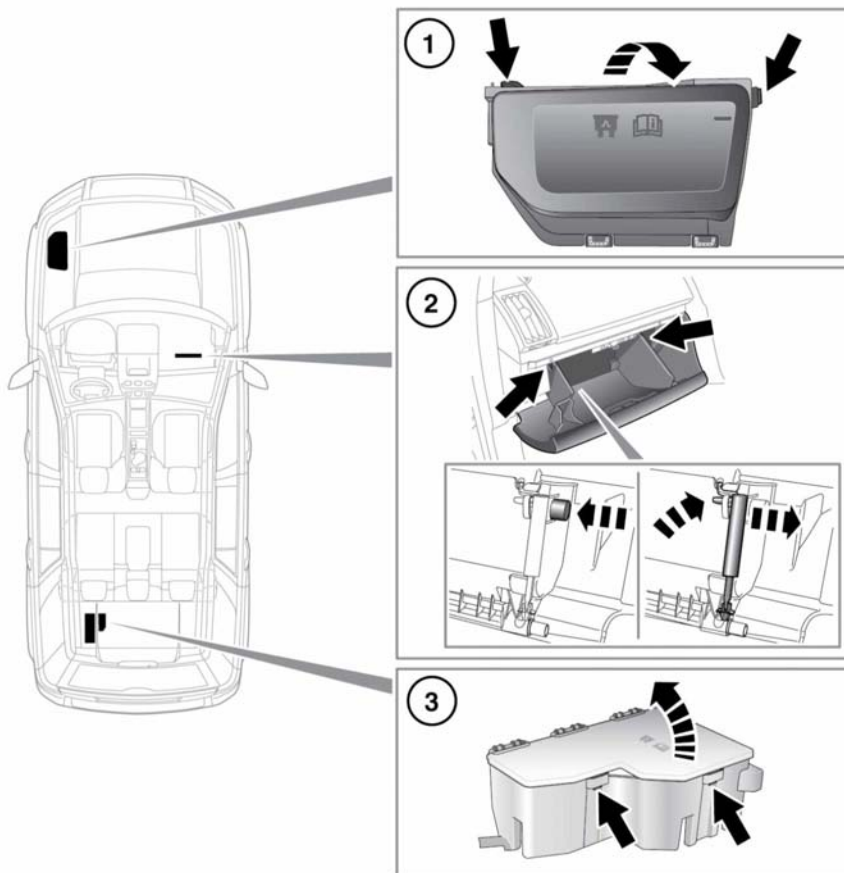


## FUSE BOX LOCATIONS



E154793



When a fuse box lid is removed, take care to protect the box from moisture, and refit the lid at the earliest opportunity.

### 1. Engine compartment fuse box.

- The fuse numbers and positions are shown on the inside of the fuse box cover.

### 2. Passenger compartment fuse box.

- Open the glove box. See **61, STORAGE COMPARTMENTS**.
- Lower the glove box by lightly pushing in at each support stay at the top of the left and right corners.