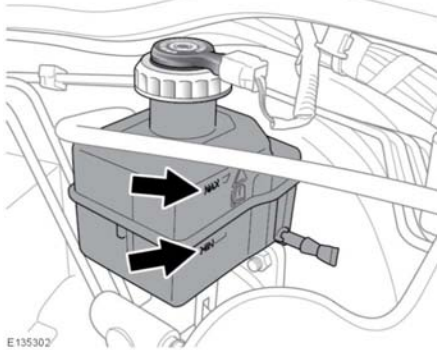
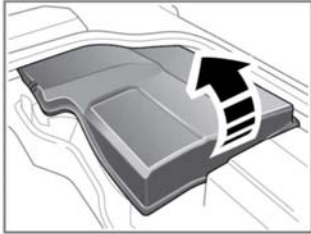


Fluid level checks

Note: If the warning lamp illuminates while the vehicle is being driven, stop the vehicle as soon as safety permits by gently applying the brakes. Check and top up the fluid level if necessary.

With the vehicle on level ground, check the fluid level at least every week (more frequently in high mileage or arduous operating conditions).



The right side under hood cover (as viewed from the front of the vehicle) must be removed to check the brake fluid level, See **173, UNDER HOOD COVERS - REMOVAL**.

Look at the fluid level through the side of the transparent reservoir without removing the filler cap. The brake fluid must be between the **MAX** and **MIN** marks.

TOPPING UP THE BRAKE FLUID

NOTICE

Brake fluid will damage painted surfaces. Soak up any spillage with an absorbent cloth immediately and wash the area with a mixture of car shampoo and water.

NOTICE

Only use new fluid from an airtight container. Fluid from opened containers or fluid previously bled from the system will have absorbed moisture, which will adversely affect performance, and must not be used.

1. Clean the filler cap before removing to prevent dirt from entering the reservoir.
2. Remove the filler cap.
3. Top up the reservoir to the **MAX** mark using the approved brake fluid. See **231, LUBRICANTS AND FLUIDS**.
4. Replace the cap and reservoir cover.

CHECKING THE POWER STEERING FLUID LEVEL

⚠WARNING

Power steering fluid is highly toxic. Keep containers sealed and out of reach of children. If accidental consumption of fluid is suspected, seek medical attention immediately.

⚠WARNING

If the fluid comes into contact with the skin or eyes, rinse immediately with plenty of water.

⚠WARNING

Take care not to spill power steering fluid onto a hot engine - a fire may result.