

PARTS AND ACCESSORIES

⚠ WARNING

The use of non-approved parts and accessories or carrying out non-approved alterations or conversions, may be dangerous and could affect the safety of the vehicle and occupants and also invalidate the terms and conditions of the vehicle warranty.

⚠ WARNING

Jaguar Land Rover Limited will not accept any liability for death, personal injury or damage to property which may occur as a result of the use of non-approved accessories or the carrying out of non-approved conversions to Jaguar vehicles.

NOTICE

Your vehicle is not designed for use with a roof rack. Do not fit a roof rack to the vehicle, as damage may result.

AIR BAG SYSTEM

⚠ WARNING

Certain components of this vehicle such as air bag modules and seat belt pretensioners may contain perchlorate material - Special handling may apply for service or vehicle end-of-life disposal. See: www.dtsc.ca.gov/hazardouswaste/perchlorate.

⚠ WARNING

The components that make up the air bag system are sensitive to electrical or physical interference, either of which could easily damage the system and cause inadvertent operation or a malfunction of the air bag module.

To prevent malfunction of the air bag system always consult your Dealer/Authorized Repairer before fitting any of the following:

- Electronic equipment such as a mobile phone, two-way radio or audio system.
- Accessories attached to the front of the vehicle.
- Any modification to the front of the vehicle.
- Any modification involving the removal or repair of any wiring or component in the vicinity of any of the air bag system components, including the steering wheel, steering column, pillar trim, roof lining, door trim, instrument or facia panels.
- Any modification to the facia panels or steering wheel.

OWNER MAINTENANCE

NOTICE

Any significant or sudden drop in fluid levels, or uneven tire wear, should be reported to a qualified technician without delay.

In addition to the routine services and inspections, a number of simple checks must be carried out more frequently. These checks can be carried out by the owner and advice is given on the pages that follow.

DAILY CHECKS

- Operation of lamps, horn, direction indicators, wipers, washers and warning indicators.
- Operation of seat belts and brakes.
- Look for fluid deposits underneath the vehicle that might indicate a leak. Condensation drips from the air conditioning is normal.

WEEKLY CHECKS

- Engine oil level.
- Engine coolant check.
- Brake fluid level.
- Power steering fluid level.
- Windshield washer fluid level.
- Tire pressures and condition.
- Operate air conditioning.

Note: *The engine oil level should be checked more frequently if the vehicle is driven for prolonged periods at high speeds.*

ARDUOUS DRIVING CONDITIONS

When a vehicle is operated in severe or arduous conditions, more frequent attention must be paid to servicing requirements. Refer to your Passport to Service or contact your Dealer/Authorized Repairer for details.

SAFETY IN THE GARAGE

WARNING

If the vehicle has been driven recently, do not touch exhaust and cooling system components until the engine has cooled.

WARNING

Never leave the engine running when the vehicle is in a garage. Exhaust gases are poisonous and can cause unconsciousness and death if inhaled.

WARNING

Do not work beneath the vehicle with a jack as the only means of support.

WARNING

Keep your hands and clothing away from drive belts, pulleys and fans. Some fans may continue to operate after the engine has stopped.

WARNING

Remove metal wrist bands and jewelry, before working in the engine compartment.

WARNING

Do not touch electrical leads or components while the engine is running, or with the ignition switched on.

WARNING

Do not allow tools or metal parts of the vehicle to make contact with the battery leads or terminals.

FUEL SYSTEM

WARNING

Under no circumstances should any part of the fuel system be dismantled or replaced by anyone other than a suitably qualified vehicle technician.

WARNING

Make sure sparks and open flames are kept away from the engine compartment.

WARNING

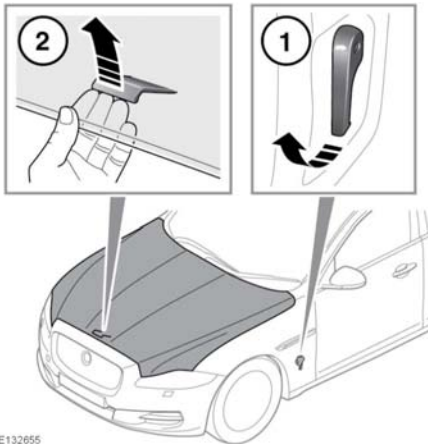
Wear protective clothing, including, where practicable, gloves made from an impervious material.

USED ENGINE OIL

NOTICE

Prolonged contact with engine oil may cause serious skin disorders, including dermatitis and cancer of the skin. Always wash thoroughly after contact.

OPENING THE HOOD



E132655

1. Pull the hood release handle located in the left side front footwell.
2. Lift the hood safety catch lever located below the center point of the hood, and raise the hood.

CLOSING THE HOOD

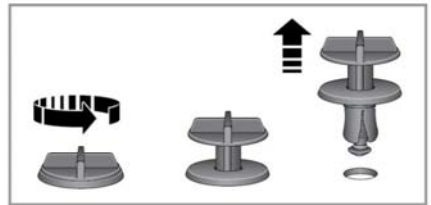
WARNING

Do not drive with the hood retained by the safety catch alone.

1. Lower the hood until the safety catch engages. Using both hands, press the hood down until the catches click.

2. Check that both catches are fully engaged by attempting to lift both sides of the front edge of the hood. This should be free from all movement.

UNDER HOOD COVERS - REMOVAL



E155249

1. Release and remove the turnbuckle clips securing the cover.
2. Lift the edge of the cover and slide to remove.

UNDER HOOD COVERS - REFITTING

NOTICE

Before refitting the underbonnet cover, make sure that no pipes, cables or other items, have been trapped between the cover and casing.

1. Place the cover over the casing, ensuring all holes are aligned.

2. Push the cover down firmly, insert and fasten the turnbuckle clips.

UNBLOCKING WASHER JETS

CAUTION

Do not operate the washer jets during adjustment. Windshield washer fluid may cause irritation to the eyes and skin. Always read and observe the washer fluid manufacturers instructions.

If a washer jet becomes blocked, use a thin strand of wire to unblock the jet by inserting the wire into the jet. Make sure that the wire is completely removed after unblocking.

CHANGING A BULB

NOTICE

Always replace bulbs with the correct type and specification. If you are in any doubt, contact your Dealer/Authorized Repairer for advice.

NOTICE

Before attempting to replace a bulb, make sure that both the affected lamp and the vehicle's ignition are turned off. If the circuit remains live, a short circuit can occur which may damage the vehicle's electrical system.

XENON LAMPS

WARNING

High voltage is required to ignite the gas and metal vapor which are used to power Xenon lamps. Contact with this voltage can cause serious injury. Replacement or maintenance of Xenon lamps should only be carried out by suitably qualified personnel.

WARNING

Xenon lamp units operate at a very high temperature. To avoid burns or serious injury, ensure that the lamp units have cooled before attempting to touch them.



Seek advice about the correct disposal of Xenon lamp units from a Dealer/Authorized Repairer, or your local authority.

HEADLAMP BULB REPLACEMENT

NOTICE

Removal of the headlamp unit should only be attempted by a qualified technician. If in doubt, consult your Dealer/Authorized Repairer.

REAR LAMP REMOVAL

NOTICE

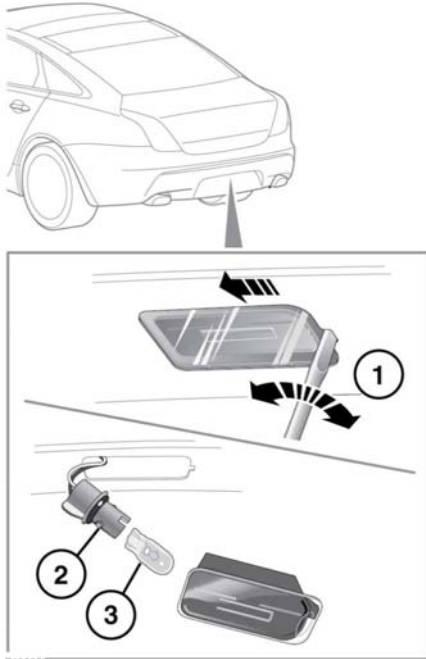
Removal of the rear lamp unit should only be attempted by a qualified technician. If in doubt, consult your Dealer/Authorized Repairer.

HIGH LEVEL BRAKE LAMP BULB REPLACEMENT

NOTICE

Removal of this lamp unit should only be attempted by a qualified technician. If in doubt, consult your Dealer/Authorized Repairer.

LICENSE PLATE LAMP BULB REPLACEMENT



1. Insert a small flat-bladed screwdriver into the indent as shown and carefully lever out the side of the lamp unit and remove.
2. Twist the bulb holder 90 degrees counter-clockwise to access the bulb.
3. Pull to remove the bulb from the holder.

The specification for the replacement bulb is listed under **216, BULB SPECIFICATION**.

WIPERS SERVICE POSITION

Note: The Smart key must remain in the vehicle while the wiper blades are replaced.

Before changing a wiper blade, the wiper arms must be set in the 'Service' position as follows:

1. Make sure the ignition is turned off.
2. Turn the ignition on and then off again.
3. Immediately pull the wiper stalk towards the driver (as if to command a single wipe), hold this position while turning on the ignition again.
The wipers will move to their Service position.
4. When the new parts have been fitted, turn the ignition off. This will return the wipers to the park position.

Note: Fit only replacement wiper blades that are identical to the original specification.

SUNROOF RESET

If the battery is disconnected, or the power supply is interrupted, while the sunroof is partially open it will need to be reset.

Once the power supply is restored, reset the sunroof as follows:

1. Switch the ignition on.
2. Fully close the sunroof.
3. Press the front of the sunroof switch, and hold for 45 seconds.
4. After 45 seconds the sunroof will begin to move. Keep the front of the switch pressed until the sunroof is fully open, then closed.
5. Once the open/close cycle has completed and the sunroof has stopped moving, release the switch.

The sunroof can now be operated as normal.

WINDOW RESET

The windows will need to be reset if the battery is disconnected, becomes discharged or the power supply is interrupted.

Maintenance

Reset as follows:

1. Close the window fully.
2. Release the switch, then lift it to the close position and hold for two seconds.
3. Open the window fully.
4. Release the switch, then push it to the open position and hold for two seconds.
5. Lift and release the switch to operate the one-touch function.
6. Repeat the procedure on each window.

WARNING TRIANGLE

If supplied, the warning triangle is located in the luggage compartment, attached to an anchor point.

FIRST AID KIT

If supplied, the first aid kit is strapped to the side of the luggage compartment.

FIRE EXTINGUISHER

If supplied, the fire extinguisher is located either in the luggage compartment, or mounted to the front passenger seat.