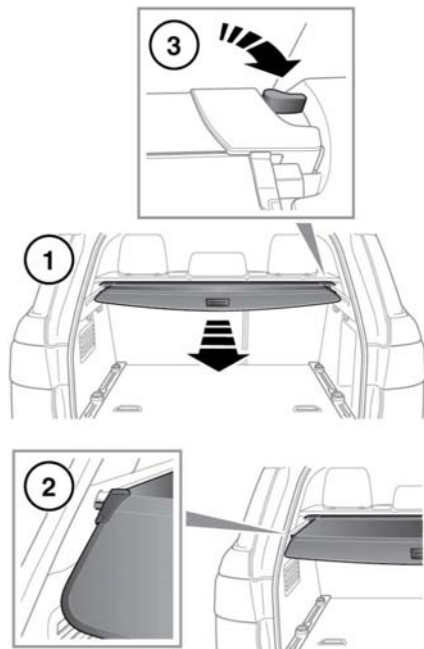




LOADSPACE COVER




E150871


 **Do not store the loadspace cover loose in the vehicle. During an accident or sudden manoeuvre, the load space cover could cause serious injury or death.**


 **Never place objects on top of the loadspace cover. During an accident or sudden manoeuvre, loose objects can cause serious injury or death.**

1. Pull the rigid portion of the cover to unroll.

2. Engage the end pieces into the recessed areas moulded into the loadspace sides. To retract the loadspace cover, disengage the ends from the recessed areas and allow the soft portion of the cover to retract into its housing
3. To remove the cover, turn the release lever to unlock the assembly and disengage the pins from the sockets.

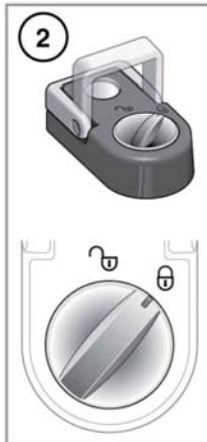
 **To avoid injury the loadspace cover must not be left in the installed position when the third row seats are occupied.**

 Remove the stowed loadspace cover before moving the seats.

 Do not attempt to raise the second row seats into the upright position, or tip them forward for third row access, while the loadspace cover is stowed behind the second row, as damage will result.

4. To refit the cover, engage the left side of the assembly into the recessed area, then engage the right side, push down into place until a audible click is heard.

LUGGAGE ANCHOR POINTS



E150872



All items carried in the luggage area should be properly secured.

1. To assist in safely securing large items of luggage, four lashing eyes are located in the rear loadspace floor.
2. If adjustable lashing eyes are fitted, first turn the locking button counter clockwise to unlock. Press the button and slide to the required position in the luggage rail. Release the button to latch into position. Move the lashing eye slightly until you hear a click. The lashing eye is now secured. Turn the button clockwise to lock.

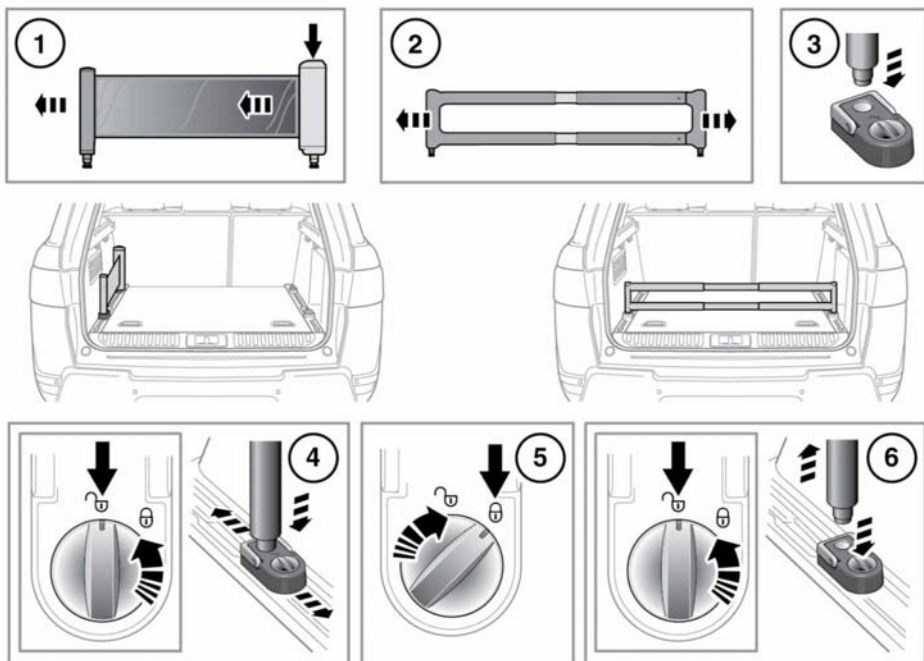
Note: A range of approved luggage retention accessories are available from your Dealer/Authorised Repairer.

LUGGAGE DIVIDER

A luggage divider kit is provided to assist with safely securing items of luggage to the loadspace floor.

Floor mounted luggage rails provide a full width mounting channel that will accommodate a flexible retracting band or a solid telescopic divider to retain soft and hard luggage of all shapes and sizes.

Load carrying



E150873

1. Press then pull the retracting band until the required length is reached.

Note: The retracting band should only be used along the side of the loadspace floor, as illustrated.

2. Adjust the divider to the required length.
3. Unlock the appropriate lashing eye and attach the retracting band/divider.
4. With the lashing eye in the unlocked position, press the button and slide to the required position in the luggage rail.
5. Lock the lashing eye in the required position.
6. To remove the retracting band/divider from lashing eye, unlock lashing eye and press the lock/unlock button to release.