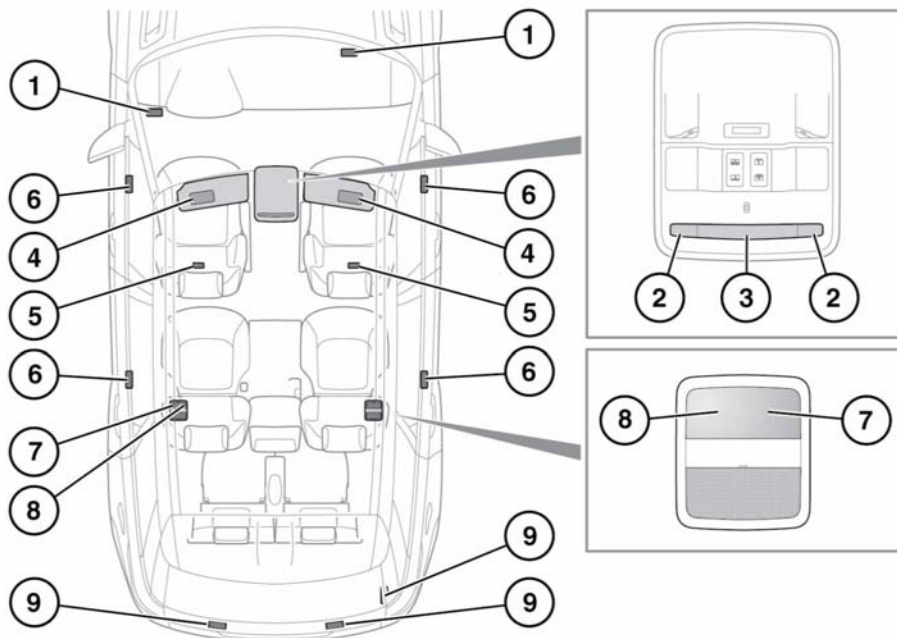


## INTERIOR LIGHTS



E150831

1. Front seat footwell lamps: Automatically illuminate when the doors are opened.
2. Front reading lamps: Touch the left or right hand side of the sensor lens briefly to switch on/off.

**Note:** To complete the operation, move your finger at least 20 mm (0.8 inches) from the lens.

3. Front courtesy lamp: Touch the centre of the sensor lens briefly to switch on/off. To switch automatic illumination on/off, touch the centre of the sensor lens until the light flashes, which confirms selection. In Auto mode the lamps will illuminate when a door is opened.

4. Vanity mirror lamp: Slide the cover open/shut for on/off.
5. Rear seat footwell lamps: Automatically illuminate when the doors are opened.
6. Puddle lamps: Automatically illuminate when the doors are opened.
7. Rear reading lamps: Touch the sensor lens briefly to switch on/off.

**Note:** To complete the operation, move your finger at least 20 mm (0.8 inches) from the lens.

8. Rear courtesy lamps: Controlled by the settings of the front interior lamp.
9. Loadspace lamps: Automatically illuminate when the tailgate is open. Unless Auto mode is switched off.

## INTERIOR LIGHTS INTENSITY

Instrument illumination intensity can be adjusted, while the exterior lamps are turned on. See **298, DRIVER CONTROLS**, Instrument illumination control.

## AMBIENT LIGHTING

The LED ambient lighting can be adjusted for colour and intensity via the Touch screen. The exterior lamps must be turned on while changes are being made via the Touch screen. See **74, EXTRA FEATURES**.

## STEALTH MODE

Stealth mode lowers the level of interior illumination to aid night time driving. Stealth mode can be enabled through the Touch screen **Extra features** menu. See **74, EXTRA FEATURES**.

Once enabled, Stealth mode is activated by switching the Touch screen off using the on/off button. See **72, TOUCH SCREEN HOME MENU**. If night time conditions exist when the Touch screen is turned off, interior switch illumination, and instrument panel back-lighting will automatically reduce to their minimum light levels. Stealth mode will be deactivated if night time conditions no longer exist, or if the Touch screen is turned back on.

**Note:** *The interior illumination control will not operate while Stealth mode is active. See **298, DRIVER CONTROLS**.*