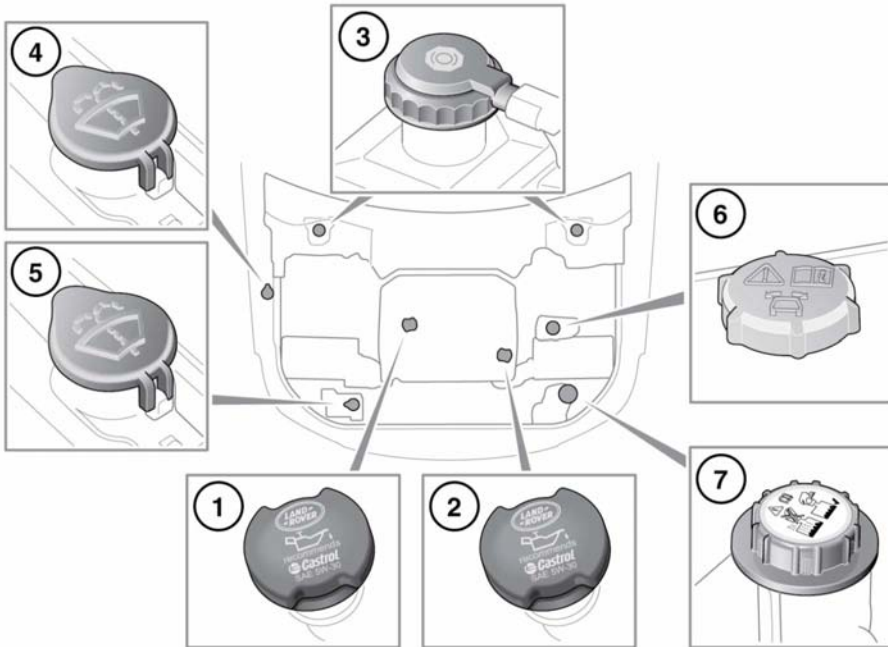



## FLUID FILLER LOCATIONS





E150942

1. Engine oil filler cap (diesel).
2. Engine oil filler cap (petrol).
3. Brake fluid reservoir cap.  
**Note:** *The brake fluid reservoir cap is always located on the driver's side of the vehicle.*
4. Windscreen washer fluid filler cap (all vehicles).
5. Windscreen washer fluid filler cap (cold climate vehicles only).
6. Dynamic response fluid reservoir cap.
7. Engine coolant filler cap.

 **Do not drive if there is a possibility that leaked fluid will come into contact with a hot surface, such as the exhaust.**

## CHECKING THE ENGINE OIL LEVEL

 Check the engine oil weekly. If any significant or sudden drop in oil level is noted, seek qualified assistance.

 If the message **ENGINE OIL PRESSURE LOW** is displayed, stop the engine as soon as it is safe to do so and seek qualified assistance. Do not start the engine until the cause has been rectified.

Prior to checking the oil level make sure that:

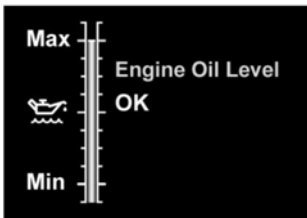
- The vehicle is on level ground.
- The engine oil has reached operating temperature (oil is hot).

- The engine has been switched off for 10 minutes. The system will not give an accurate reading until the oil level has stabilised.

The oil level can then be checked as follows:

1. Switch on the ignition (do not start the engine). See **97, SWITCHING ON THE IGNITION**.
2. Make sure Park (P) is selected.
3. Select the **Service Menu** via the instrument panel menu. See **46, INSTRUMENT PANEL MENU**.
4. Select **Oil Level Display**. The current oil level status and topping-up advice is displayed in the instrument panel.
5. Top-up as instructed.

An indication of the oil level is displayed in the gauge. Messages to the right of the gauge advise you of any action you may need to take.



E132659

If the oil level is within the required operating range, the message **Engine Oil Level OK** will be displayed. Do not add any additional oil to the engine.

If the oil level is below the required operating range, a message advising you how much oil to add will be displayed (e.g. **Add 0.5 Litre**). Add the recommended quantity of oil.

If the message **Engine Oil Level Overfilled** is displayed, seek qualified assistance immediately. Do not drive the vehicle as this will cause serious damage to the engine.

If the message **Engine Oil Level Underfilled** is displayed, add 1.5 litres (2.6 pints) of oil, then recheck the level.

If the message **Engine Oil Level Not Available** is displayed, the oil level is stabilising. Switch off the ignition, wait 10 minutes, then recheck the oil level display.

If the warning message **ENGINE OIL LEVEL MONITOR SYSTEM FAULT** is displayed, seek qualified assistance.

## TOPPING UP THE OIL

- ⚠ Your vehicle warranty may be invalidated if damage is caused by using oil that does not meet the required specification.
- ⚠ Failure to use an oil that meets the required specification could cause excessive engine wear, a build up of sludge and deposits, and increase pollution. It could also lead to engine failure.
- ⚠ Overfilling with oil could result in severe engine damage. Oil should be added in small quantities and the level re-checked to make sure the engine is not overfilled.

1. Remove the oil filler cap.
2. Add oil as instructed by the display.
3. Clean up any oil spilled during topping-up.
4. Check the oil level again after 10 minutes.

It is essential to use the correct specification oil, and to make sure it is suitable for the climatic conditions in which the vehicle is to be operated. See **258, LUBRICANTS AND FLUIDS**.

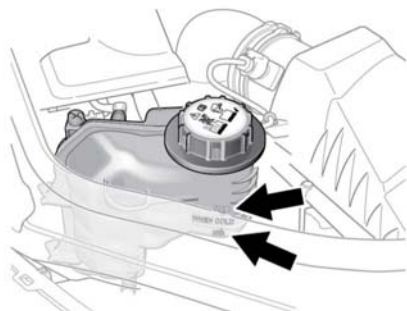
**Note:** The approximate quantity of oil required to raise the level from **MIN** to **MAX** is 1.5 litres (2.6 pints).

# Fluid level checks

## CHECKING THE COOLANT LEVEL

**!** Running the engine without coolant will cause serious engine damage.

The coolant level in the expansion tank should be checked weekly (more frequently in high mileage or arduous operating conditions). Always check the level when the system is cold.



E151133

The under bonnet cover must be removed to check the coolant level. See **203, UNDER BONNET COVERS - REMOVAL**.

Make sure the coolant level remains between the **MIN** and **MAX** indicator marks located on the side of the expansion tank.

If coolant/steam is expelled from the pressure cap or the level has dropped suddenly, or by a large amount, arrange for the vehicle to be examined by a Land Rover Dealer/Authorised Repairer as soon as possible.

## TOPPING UP THE COOLANT

**!** Never remove the filler cap when the engine is hot - escaping steam or scalding water could cause serious personal injury.

**!** Avoid spilling antifreeze onto a hot engine - a fire may result.

**!** Unscrew the filler cap slowly, allowing the pressure to escape before removing completely.

**!** Antifreeze is poisonous and can be fatal if swallowed - keep containers sealed and out of the reach of children. If accidental consumption is suspected, seek medical attention immediately.

**!** If the fluid comes into contact with the skin or eyes, rinse immediately with plenty of water.

**!** When travelling in territories where the water supply contains salt, always make sure you carry a supply of fresh (rain or distilled) water. Topping up with salt water will cause serious engine damage.

**!** The use of non-approved antifreeze will have an adverse effect on the engine cooling system and therefore engine durability.

**!** Antifreeze will damage painted surfaces; soak up any spillage with an absorbent cloth immediately and wash the area with a mixture of car shampoo and water.

Top-up to the **MAX** mark, located on the side of the expansion tank. Use only a 50% mix of water and the approved antifreeze. See **258, LUBRICANTS AND FLUIDS**.

The specific gravity of a 50% antifreeze solution at 20°C (68°F) is 1.068 and protects against frost down to -40°C (-40°F).

Antifreeze contains important corrosion inhibitors. The antifreeze content of the coolant must be maintained at 50% ± 5% all year round (not just in cold conditions). To make sure the anti-corrosion properties of the coolant are retained, the antifreeze content should be checked once a year and completely renewed every ten years, regardless of distance travelled. Failure to do so may cause corrosion of the radiator and engine components.

**Note:** *In an emergency - and only if the approved antifreeze is unavailable - top-up the cooling system with clean water, but be aware of the resultant reduction in frost protection. Do not top-up or refill with conventional antifreeze formulations. If in doubt consult a qualified technician.*

Make sure the cap is tightened fully after top-up is completed by turning the cap until the ratchet cap clicks.

## CHECKING THE BRAKE FLUID LEVEL



**Brake fluid is highly toxic - keep containers sealed and out of the reach of children. If accidental consumption of fluid is suspected, seek medical attention immediately.**



**If the fluid comes into contact with the skin or eyes, rinse immediately with plenty of water.**



**Take care not to spill the fluid onto a hot engine - a fire may result.**



**Do not drive the vehicle with the fluid level below the MIN mark.**

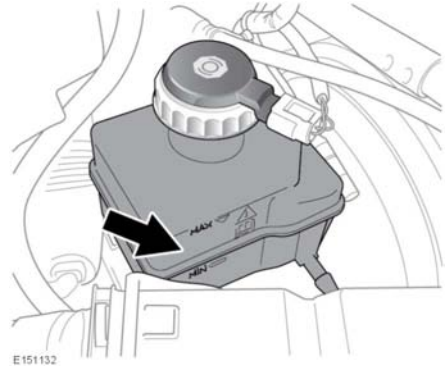


**Seek qualified assistance immediately if brake pedal travel is unusually long or if there is any significant loss of brake fluid. Driving under such conditions could result in extended stopping distances or complete brake failure.**

If the quantity of fluid in the brake reservoir drops below the recommended level, a red warning lamp in the instrument pack will illuminate. See **49, BRAKE (RED)**.

**Note:** *If the warning lamp illuminates while the vehicle is being driven, stop the vehicle as soon as safety permits by gently applying the brakes. Check and top-up the fluid level if necessary.*

With the vehicle on level ground, check the fluid level at least every week (more frequently in high mileage or arduous operating conditions).





The driver's side cover must be removed to check the brake fluid level. See **203, UNDER BONNET COVERS - REMOVAL**.

The brake fluid must be between the **MAX** and **MIN** marks.

# Fluid level checks


## TOPPING UP THE BRAKE FLUID


 Brake fluid will damage painted surfaces. Soak up any spillage with an absorbent cloth immediately and wash the area with a mixture of car shampoo and water.


 Only use new fluid from an airtight container (fluid from opened containers or fluid previously bled from the system will have absorbed moisture, which will adversely affect performance, and must not be used).


1. Clean the filler cap before removing to prevent dirt from entering the reservoir.
2. Remove the filler cap.
3. Top-up the reservoir to the **MAX** mark using the approved brake fluid. See **258, LUBRICANTS AND FLUIDS**.
4. Replace the cap and reservoir cover.

## CHECKING THE WASHER FLUID LEVEL

 **Some screen washer products are inflammable, particularly if high or undiluted concentrations are exposed to sparking. Do not allow screen washer fluid to come into contact with naked flames or sources of ignition.**

 **If the vehicle is operated in temperatures below 4°C (40°F), use a washer fluid with frost protection. In cold weather, failure to use a washer fluid with frost protection, could result in impaired vision and increase the risk of a vehicle crash.**

 Do not use an antifreeze or vinegar/water solution in the washer reservoir - antifreeze will damage painted surfaces, while vinegar can damage the windscreen washer pump.

 Body panels may suffer discolouration as a result of screen washer fluid spillage. Take care to avoid spillage, particularly if an undiluted or high concentration is being used. If spillage occurs, wash the affected area immediately with water.

## TOPPING UP THE WASHER FLUID

The washer reservoir supplies both front and rear screen washer jets and headlamp washer jets.

Check and top-up the reservoir level at least every week. Always top-up with screen washer fluid to prevent freezing.


Operate the washer switches periodically to check that the nozzles are clear and properly directed.


1. Clean the filler cap before removing to prevent dirt from entering the reservoir.
2. Remove filler cap.
3. Top-up the reservoir until the fluid is visible in the filler neck.
4. Replace filler cap.


Cold climate vehicles also feature a supplemental washer reservoir. The same care points described above should be applied to vehicles fitted with a supplemental washer reservoir.


**Note:** *On vehicles fitted with a supplemental washer reservoir, always check and top-up the main reservoir first.*


## CHECKING THE DYNAMIC RESPONSE FLUID LEVEL


 **Dynamic response fluid is highly toxic. Keep containers sealed and out of reach of children. If accidental consumption of fluid is suspected, seek medical attention immediately.**

 **If the fluid comes into contact with the skin or eyes, rinse immediately with plenty of water.**

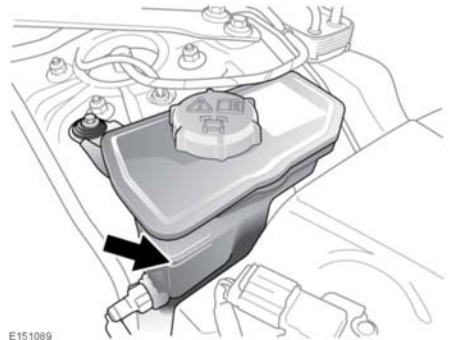
 Do not start the engine if the fluid level has dropped below the **MIN** mark. Severe damage to the Dynamic response system could result.

 Seek qualified assistance immediately if there is a noticeable drop in the fluid level.

 If fluid loss is slow, the reservoir may be topped-up to the upper level mark to enable the vehicle to be driven to a repair facility for examination. However, it is recommended that you seek qualified assistance before driving the vehicle.

 Do not attempt to drive the vehicle to a repair facility, if there is a danger that leaking fluid will come into contact with a hot surface, such as the exhaust.


Check and top-up the fluid level with the engine switched off and the system cold. See **214, FLUID FILLER LOCATIONS.**




E151089

The fluid level should be maintained between the **MIN** and **MAX** marks.

## TOPPING UP THE DYNAMIC RESPONSE FLUID

 Dynamic response fluid will damage painted surfaces. Soak up any spillage with an absorbent cloth immediately and wash the area with a mixture of car shampoo and water.

 Do not fill the reservoir above the **MAX** mark.

1. Clean the filler cap before removing to prevent dirt from entering the reservoir.
2. Remove filler cap.
3. Using the approved fluid, top up the reservoir until the fluid level is between the **MIN** and **MAX** marks. See **258, LUBRICANTS AND FLUIDS.**
4. Replace filler cap.