

TOWING EYES

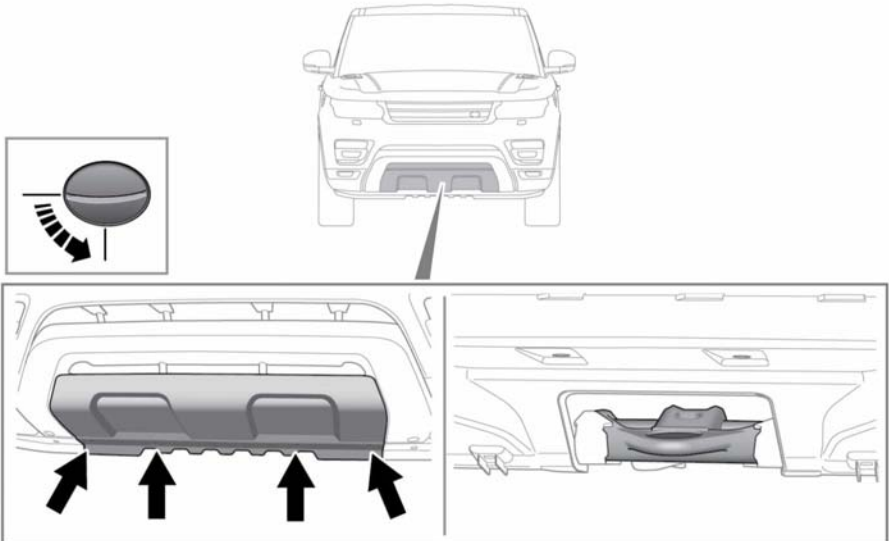


The towing eyes at the front and rear of the vehicle are designed for on-road recovery only. If they are used for any other purpose, it may result in vehicle damage and serious injury.



Remove the front and rear towing eye covers before driving off-road, to prevent damage or loss.

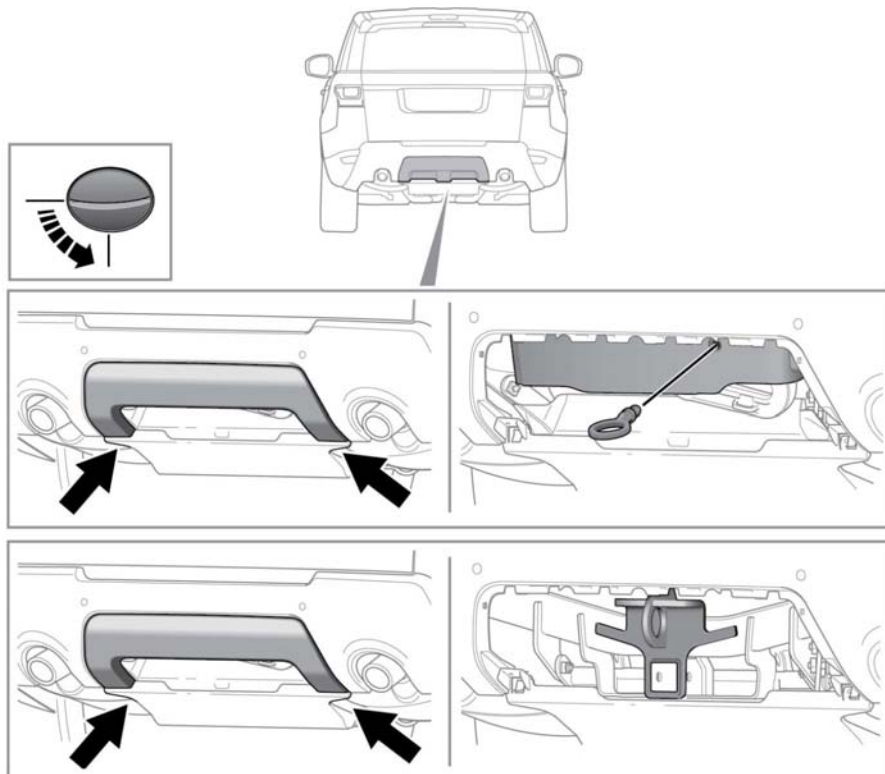
The front and rear towing points are located behind removable covers.



E151143

1. To release the front cover, rotate each of the fasteners 90 degrees counter clockwise with a coin (or similar).
2. To remove the cover, lower the top edge and then pull the cover forwards. When refitting, first make sure that the 2 lugs at the bottom edge of the cover engage with the holes in the body panel and then secure into position by rotating each of the fasteners 90 degrees clockwise.

Vehicle recovery



E151144

1. To release the rear cover, rotate each of the fasteners 90 degrees counter clockwise with a coin (or similar), to release the lower edge.
2. Rotate the cover to release the hooks at the top. Remove the cover.
3. For vehicles fitted with a Powered tow bar, a towing eye is included in the tool kit, located in the underfloor area of the loadspace.
4. Screw the towing eye anticlockwise into its fixing, until secure. Use the wheel jack lever to apply extra leverage to the towing eye.
5. When refitting the rear cover, make sure that the 4 hooks on the top edge of the cover engage in the body panel and then secure into position by rotating each of the fasteners 90 degrees clockwise.

The rear towing point may be used to tow another vehicle, if required.

STEERING COLUMN UNLOCKING



During vehicle recovery, the Smart key must remain inside the vehicle and the ignition must be switched on to make sure that the steering column is unlocked.

OFF-ROAD RECOVERY



If the towing eyes are to be used for off-road recovery, it is essential that off-road driver training covering recovery techniques is undertaken.

Further information regarding off-road driver training can be found at <http://www.landroverexperience.com>

TRANSPORTING THE VEHICLE

The recommended method for recovery/transporting the vehicle is by a trailer designed for that purpose.

Always use qualified persons to perform recovery and to make sure the vehicle is secured correctly.



WARNING: Use extreme caution when moving or towing the vehicle. Death or serious injury may occur.



If the vehicle's electronics are operational, the Air suspension must be set to Access height, before securing the vehicle to a recovery vehicle or trailer. See **109, ACCESS HEIGHT**.

TOWING THE VEHICLE ON FOUR WHEELS

The vehicle should be recovered with all four wheels clear of the ground, i.e., on a trailer. However, if the vehicle cannot be recovered by using the correct method, in an emergency the vehicle can be towed on all four wheels for a short distance. Please adhere to the following guidelines.



The recovery agent **MUST** activate the Emergency Park Release before towing commences. This procedure is covered in a separate publication for service personnel.



If transmission Neutral (N) is selected and the engine is then switched off, the transmission will wait for 10 minutes before automatically selecting Park (P). At this point, if the Emergency Park Release has not been activated and the vehicle is being towed, serious damage to the transmission will result. There is also a danger to personal safety.



If the engine cannot be used during towing, there will be no power assistance to the braking system. This will result in a much greater effort to stop the vehicle and in a greatly increased stopping distance.



If the vehicle battery is to be disconnected, the steering column must be unlocked first. It is not possible to unlock the steering column with the battery disconnected.





Always make sure the steering column is unlocked prior to recovery.




Only tow the vehicle in a forward direction with all four wheels on the ground. Towing in a reverse direction or with only two wheels on the ground, will cause serious damage to the transmission.

Vehicle recovery

-  Do not tow the vehicle for more than 50 km (30 miles). Do not exceed 50 km/h (30 mph). Towing for a greater distance or at a higher speed may result in serious damage to the transmission.
-  Do not tow the vehicle if the transmission cannot be set in Neutral (N), or if the rear electronic differential has failed in the locked position.

The following procedure must be carried out carefully to prevent damage to the vehicle:

1. Secure the towing attachment from the recovery vehicle to the front towing eye. **251, TOWING EYES**
2. With the parking brake applied, switch on the ignition and ensure the steering lock is disengaged.
3. Apply the foot brake and rotate the selector to Neutral (N).
4. Activate the Emergency Park Release.
5. Leave the Smart key in a secure place inside the vehicle.
6. Release the parking brake before towing the vehicle.

-  Leaving the ignition switched on for extended periods will drain the vehicle's battery.

AFTER TOWING ON FOUR WHEELS

1. Apply the parking brake.
2. Switch on the ignition and apply the foot brake.
3. Rotate the gear selector to Park (P)
4. Deactivate the Emergency Park Release.
5. Switch off the ignition and remove the Smart key from the vehicle.

6. Remove the recovery vehicle towing attachment from the front towing eye and refit the cover.



Use extreme caution when detaching towing equipment. Vehicle movement is possible which can result in serious injury.