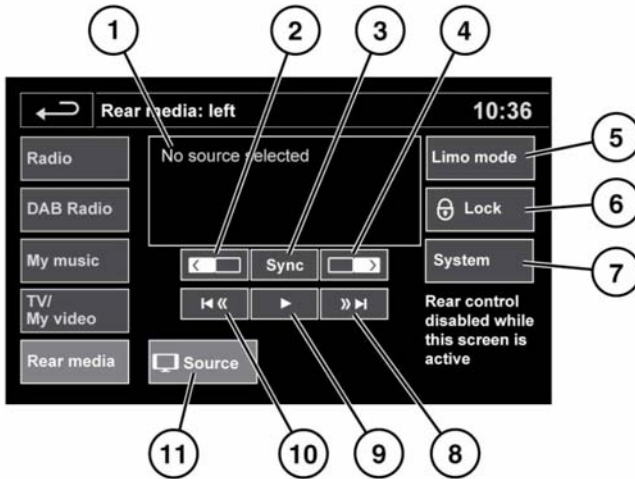


## REAR MEDIA CONTROL FROM THE TOUCH SCREEN



E152321

Touch **Rear media** on the Audio/video home menu to select the Rear media control screen.

1. Information display.
2. Touch to select the left-side rear screen.
3. Touch to synchronise both screens. Then select the source to be synchronised.  
*Note: Pressing the synchronise button will not synchronise a source already selected.*
4. Touch to select the right-side rear screen.

5. **Limo mode:** Touch to turn Limousine mode ON/OFF.

When Limousine mode is turned ON, the rear passengers will have control of the total cabin audio system and any shared sources via the remote control.

6. **Lock:** Touch to lock or unlock the rear media remote.
7. **System:** Touch to turn the selected rear screen/s ON/OFF.

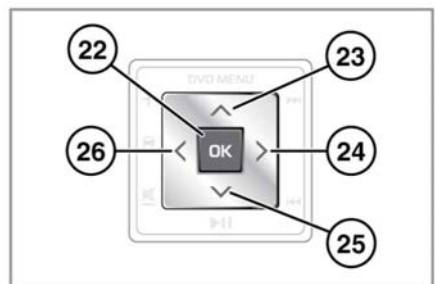
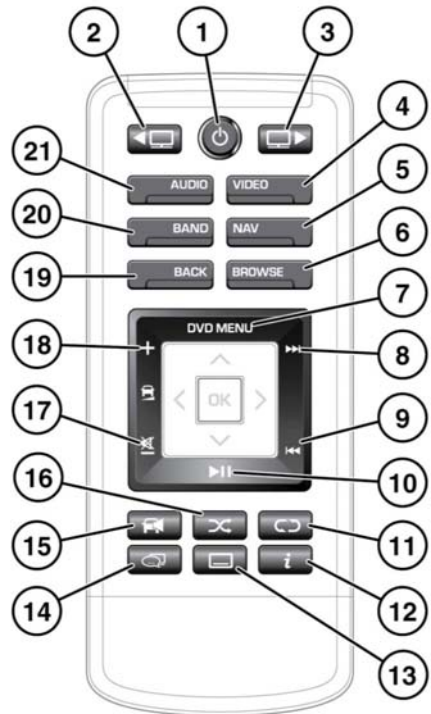
- 8. Forward/Skip for the selected screen.
- 9. Play/Pause for the selected screen.
- 10. Rewind/Skip for the selected screen.
- 11. **Source**: Touch to select the rear media source screen.
- 12. Media source selection: Touch the required media button.

*Note: For DAB Radio select Radio.*

- 13. **Source** -: Touch to select the required media and return to the **Rear media** control screen. If required, the selected source can then be controlled via the front screen.

*Note: When the main rear media control screen is displayed on the Touch screen, the rear media remote control will be locked out.*

## REAR MEDIA REMOTE CONTROL



E151273

- 1. Press and release to turn off the screen. Press and hold to turn off the rear media system.
- 2. Left screen select.

3. Right screen select.
4. Video source select.
5. Navigation summary.  
Brazil only: 1/12 screen segment select.
6. Browse/TV channel list.
7. DVD menu.
8. Next track/file/channel/station.
9. Previous track/file/channel/station.
10. Play/Pause.
11. Repeat.  
Brazil only: Repeat and 'Red' selections.
12. Information.  
Brazil only: Information and 'Yellow' selections.
13. Subtitles on/off.  
Brazil only: Subtitles on/off and 'Green' selections.
14. Press to select any available TV streams.
15. Cabin audio volume on/off.
16. Shuffle.  
Brazil only: Shuffle and 'Blue' selections.
17. Cabin audio volume decrease/mute.
18. Cabin audio volume increase.
19. **Back**: Press to go back to previous menu.
20. Radio band select.  
Brazil only: Radio band select and interactive TV select.
21. Audio source select.
22. **OK**: Press to confirm selection.
23. Cursor control: Up\*.
24. Cursor control: Right\*.
25. Cursor control: Down\*.
26. Cursor control: Left\*.

\*These are multi-function keys depending on the source selected.

### USING RSE

To make sure the system responds to your selections, the upper end of the remote control should be pointed towards the appropriate rear screen.

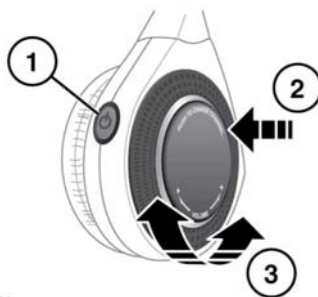
To activate the system, press the rear media on/off button on the remote control, followed by the appropriate screen selection button.

Next, select the desired audio or video function button. Subsequent selections on the remote control will operate the last selected user system.

To avoid accidental operation of the wrong user system, it is advisable to always select the required user system before making any other selection.

**Note:** To prevent accidental damage, always store the remote control in the stowage area provided when not in use.

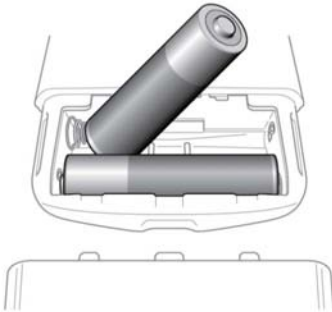
### REAR MEDIA HEADPHONES



E150761

1. Press to turn on/off.
2. Press to change audio channel.
3. Rotate to adjust headphone volume.

## REAR MEDIA REMOTE CONTROL BATTERY



E152605

Low battery power is indicated by the remote control power button flashing 3 times when pressed. To renew the batteries:

- Remove the chrome battery cover.
- Install 2 AAA batteries. Make sure the polarity of the batteries matches that shown inside the remote control battery compartment.

**Note:** *The remote control will not operate if the batteries are fitted incorrectly.*

**Note:** *Always use good quality batteries of the same type.*

- Replace the chrome battery cover.



Battery disposal: Used batteries must be disposed of correctly, as they contain harmful substances. Seek advice on disposal from your Dealer/Authorised Repairer and/or your local authority.