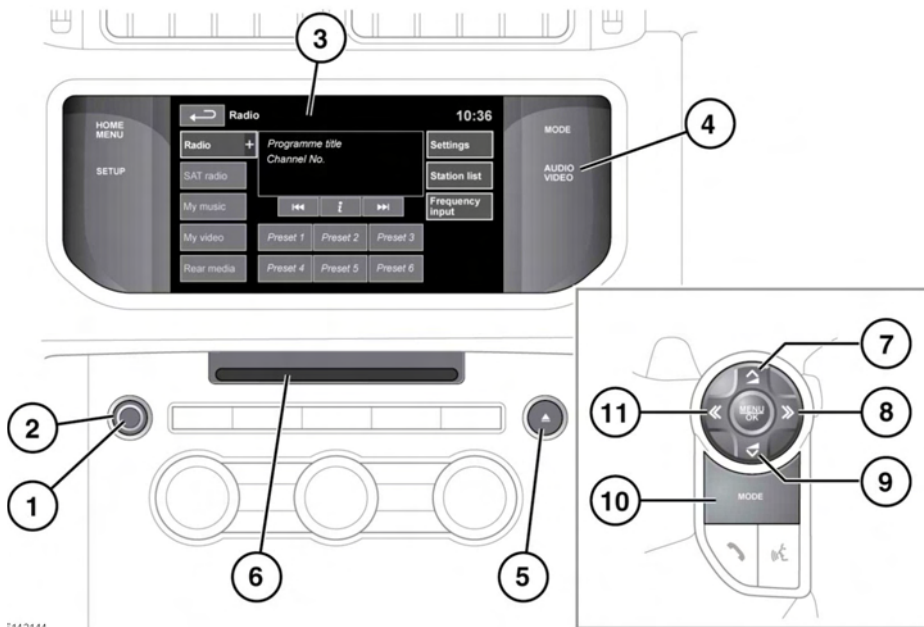


AUDIO/VIDEO CONTROLS



E142144

⚠ WARNING

Do not adjust the touch screen controls, or allow the system to distract the driver, while the vehicle is moving. Driver distraction can lead to accidents, causing serious injury or death.

⚠ WARNING

Sustained exposure to high sound levels (greater than 85 decibels) can damage your hearing.

1. Press to switch the audio system on/off.
Note: The audio system will operate with the ignition on or off, but will always switch off when the ignition is switched off. Switch the audio on again if required.
2. Rotate to adjust volume level.

Note: If volume is turned to zero while a Compact Disc (CD) is playing, the CD will pause play. Play will resume when a greater volume is selected.

3. Touch screen
4. **AUDIO VIDEO**. Press for direct access to the **Audio/Video** menu.
5. CD/Digital Versatile Disc (DVD) eject button.
6. CD/DVD loading slot.

The player will accommodate 1 disc at a time, but up to 10 CDs can be uploaded into the CD store. Only Compact Disc Digital Audio (CDDA) discs can be uploaded into the CD store.

Only discs with CDDA tracks and no other type, can be uploaded to the Stored CD store.

Insert a disc into the loading slot until resistance is felt. The player mechanism will complete the loading.

7. Press to increase volume for any source.

8. Seek up:

Short press:

- To select the next radio preset.
- To select the next track on chosen audio source - CD, MP3 etc.
- when telephone is in use, press to scroll up lists of calls or phonebook entries.

Long press:

- To auto seek up the frequency to the next radio station.

9. Press to decrease volume for any source.

10. **MODE**. Press repeatedly to scroll through all audio/video sources.

11. Seek down:

Short press:

- To select the previous radio preset.
- To select the previous track or start of current track on chosen audio source - CD, MP3 etc.
- When telephone is in use, press to scroll down lists of calls or phonebook entries.
- To select the previous TV channel on the channel list or the previous DVD chapter.

Long press:

- to auto seek down the frequency to the next radio station.

AUDIO SETTINGS

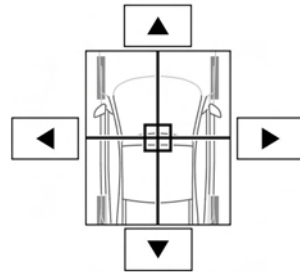
To view the audio/video menu, press the audio video button or the **Audio settings** soft key on the touch screen.

To adjust the sound settings:

- Touch the **Tone** soft key. Touch the + or - soft keys to adjust Bass, Treble or Subwoofer levels.

To adjust balance and fade:

- Touch the **Balance/Fade** soft key.



E132537

Touch the arrow soft keys to move the sound focal point to the desired area of the vehicle. Alternatively, touch the sound focal point and 'drag' it to the required position.

To adjust surround sound settings:

- If **Meridian Surround** is available, touch the **Meridian, DPLIIx** or **DTS Neo:6** soft keys to select **2D surround**. Select **Stereo** to switch **2D surround** off.
- If **Meridian Signature Reference** is fitted, **3D surround** is also available. Select the **3D surround On** soft key. Touch **Meridian, DPLIIz** or **DTS Neo:X** to activate **3D surround** mode.

Note: Surround sound options are not available for certain sources where the surround sound mode is set automatically.

LOADING DISCS

NOTICE

Do not force the disc into the slot.

NOTICE

Do not use irregular shaped CDs or DVDs and those with a scratch protection film or self-adhesive label attached.

NOTICE

The CD unit will play compact discs that conform to the international Red Book standard audio specification. Playback of CDs not conforming to this standard cannot be guaranteed.

NOTICE

Recordable (CD-R) discs and re-writable (CD-RW) discs may not function correctly.

NOTICE

Recordable (DVD-R or DVD+R) discs may not function correctly.

NOTICE

Dual format, dual-sided discs (DVD Plus, CD-DVD format) are thicker than normal CDs and so playback cannot be guaranteed and jamming may occur.

Use only high quality 4.7 in. (12 cm) circular discs.

The unit will play Compact Disc Digital Audio (CDDA) discs, MP3, WMA, WAV and AAC files.

The player will accommodate one CD or DVD disc at a time but up to 10 CDs can be uploaded onto the virtual CD store.

Only CDDA discs can be loaded onto the virtual CD store.

LICENSING



E132538



E145345



E145346



E132539

Manufactured under license from Dolby Laboratories.

Dolby and the double-D symbol are trademarks of Dolby Laboratories.



E132540



E145347

Manufactured under license under U.S. Patent #'s: 5,451,942; 5,956,674; 5,974,380; 5,978,762; 6,487,535; 7,003,467 & other U.S. and worldwide patents issued & pending. DTS, the Symbol, and Neo:6 are registered trademarks, & DTS Digital Surround and the DTS logos are trademarks of DTS, Inc. Product includes software. © DTS, Inc. All Rights Reserved.



E132541



E132542

Manufactured under license under U.S. Patent #'s: 5,451,942; 5,956,674; 5,974,380; 5,978,762; 6,487,535 & other U.S. and worldwide patents issued & pending. DTS and the Symbol are registered trademarks, & DTS 2.0+ Digital Out and the DTS logos are trademarks of DTS, Inc. Product includes software. © DTS, Inc. All Rights Reserved.



E132543

DivX Certified® to play DivX® video.

DivX®, DivX Certified® and associated logos are registered trademarks of DivX, Inc. and are used under license.

ABOUT DIVX VIDEO: DivX® is a digital video format created by DivX, Inc. This is an official DivX Certified device that plays DivX video. Visit www.divx.com for more information and software tools to convert your files into DivX video.

ABOUT DIVX VIDEO-ON-DEMAND: This DivX Certified® device must be registered in order to play DivX Video-on-Demand (VOD) content. To generate the registration code, locate the DivX VOD section in the device setup menu. Go to vod.divx.com with this code to complete the registration process and learn more about DivX VOD.

Covered by one or more of the following U.S. Patents: 7,295,673; 7,460,668; 7,519,274 EOM.



E132544

Music and video recognition technology and related data are provided by Gracenote®. Gracenote is the industry standard in music recognition technology and related content delivery. For more information, please visit www.gracenote.com.

CD, DVD, Blu-ray Disc, and music and video-related data from Gracenote, Inc., copyright © 2000 to present Gracenote. Gracenote Software, copyright © 2000 to present Gracenote. One or more patents owned by Gracenote apply to this product and service. See the Gracenote website for a non-exhaustive list of applicable Gracenote patents. Gracenote, CDDDB, MusicID, MediaVOCS, the Gracenote logo and logotype, and the "Powered by Gracenote" logo are either registered trademarks or trademarks of Gracenote in the United States and/or other countries.

GRACENOTE® END USER LICENSING AGREEMENT

This application or device contains software from Gracenote, Inc. of Emeryville, California ("Gracenote"). The software from Gracenote (the "Gracenote Software") enables this application to perform disc and/or file identification and obtain music-related information, including name, artist, track, and title information ("Gracenote Data") from online servers or embedded databases (collectively, "Gracenote Servers") and to perform other functions. You may use Gracenote Data only by means of the intended End-User functions of this application or device.

You agree that you will use Gracenote Data, the Gracenote Software, and Gracenote Servers for your own personal non-commercial use only. You agree not to assign, copy, transfer or transmit the Gracenote Software or any Gracenote Data to any third party. **YOU AGREE NOT TO USE OR EXPLOIT GRACENOTE DATA, THE GRACENOTE SOFTWARE, OR GRACENOTE SERVERS, EXCEPT AS EXPRESSLY PERMITTED HEREIN.**

You agree that your non-exclusive license to use the Gracenote Data, the Gracenote Software, and Gracenote Servers will terminate if you violate these restrictions. If your license terminates, you agree to cease any and all use of the Gracenote Data, the Gracenote Software, and Gracenote Servers. Gracenote reserves all rights in Gracenote Data, the Gracenote Software, and the Gracenote Servers, including all ownership rights. Under no circumstances will Gracenote become liable for any payment to you for any information that you provide. You agree that Gracenote, Inc. may enforce its rights under this Agreement against you directly in its own name.

The Gracenote service uses a unique identifier to track queries for statistical purposes. The purpose of a randomly assigned numeric identifier is to allow the Gracenote service to count queries without knowing anything about who you are. For more information, see the web page for the Gracenote Privacy Policy for the Gracenote service.

The Gracenote Software and each item of Gracenote Data are licensed to you "AS IS." Gracenote makes no representations or warranties, express or implied, regarding the accuracy of any Gracenote Data from in the Gracenote Servers. Gracenote reserves the right to delete data from the Gracenote Servers or to change data categories for any cause that Gracenote deems sufficient. No warranty is made that the Gracenote Software or Gracenote Servers are error-free or that functioning of Gracenote Software or Gracenote Servers will be uninterrupted. Gracenote is not obligated to provide you with new enhanced or additional data types or categories that Gracenote may provide in the future and is free to discontinue its services at any time.

GRACENOTE DISCLAIMS ALL WARRANTIES EXPRESS OR IMPLIED, INCLUDING, BUT NOT LIMITED TO, IMPLIED WARRANTIES OF MERCHANTABILITY, FITNESS FOR A PARTICULAR PURPOSE, TITLE, AND NON-INFRINGEMENT. GRACENOTE DOES NOT WARRANT THE RESULTS THAT WILL BE OBTAINED BY YOUR USE OF THE GRACENOTE SOFTWARE OR ANY GRACENOTE SERVER. IN NO CASE WILL GRACENOTE BE LIABLE FOR ANY CONSEQUENTIAL OR INCIDENTAL DAMAGES OR FOR ANY LOST PROFITS OR LOST REVENUES.

© Gracernote, Inc. 2009