

# Vehicle labels

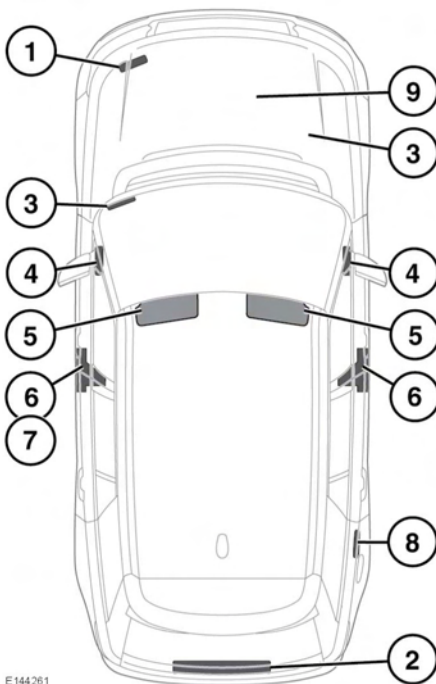
## LABEL LOCATIONS



Warning labels attached to your vehicle showing this symbol mean: Do not touch or adjust components until you have read the relevant instructions in the handbook.



Labels showing this symbol indicate that the ignition system utilizes very high voltages. Do not touch any ignition components while the starter switch is turned on.



E144261

1. Hood locking platform - Air conditioning label.
2. Top of battery - Battery warning symbols.

3. The Vehicle Identification Number (VIN) is stamped on a plate visible through the lowest part of the left side of the windshield. The number is also stamped into the right side suspension tower.

**Note:** If you need to communicate with a Retailer/Authorized Repairer, you may be asked to quote the VIN number.

4. End of facia (passenger side) - Passenger air bag label.
5. Sun visor - Air bag label, vehicle handling label.
6. Base of B pillar-VIN number.
7. Base of B pillar or inside base of front door - Tire pressure label, air bag warning label.
8. Inside fuel filler flap - Fuel label.
9. Engine number: V8 - The number is located on the front of the right side camshaft cover.

It is important that you are familiar with these subjects to make sure that your vehicle and its features are used safely.