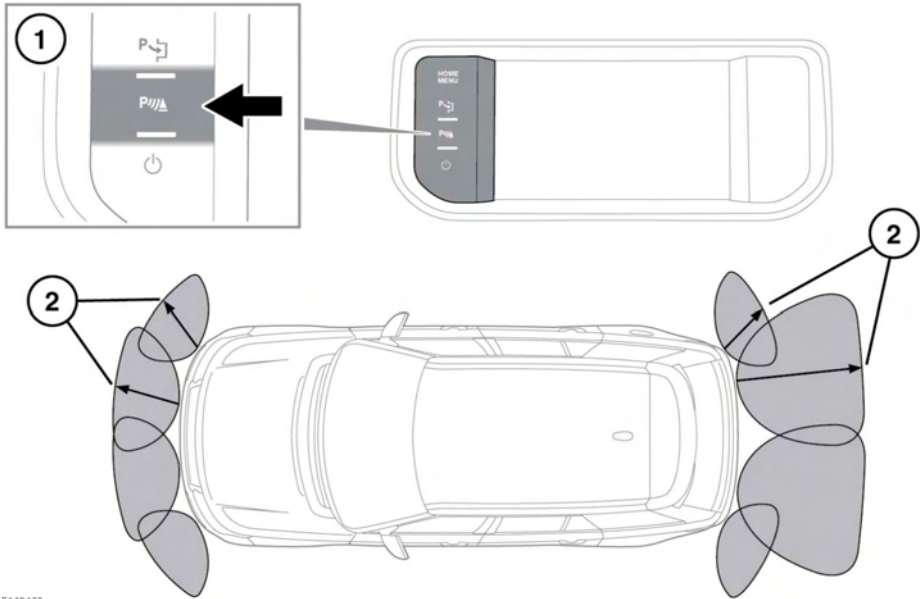


USING THE PARKING AID



E149183

⚠ WARNING

Parking aids may not detect moving objects, such as children and animals, until they are dangerously close. Always use extreme caution when maneuvering, and always use your mirrors.

NOTICE

Park assist sensors may not detect some obstructions (e.g. narrow posts or small objects close to the ground). Parking aids are for guidance only and are not intended to replace the driver's visual checks for obstructions or objects when maneuvering.

1. Parking aid switch. Press to turn on or off.
2. Parking aid detection range.

When Reverse (R) is selected, the front and rear parking sensors are activated automatically. The indicator on the parking switch will illuminate.

To manually activate the front sensors press the Parking aid switch. The indicator on the parking switch will illuminate.

When the Parking aid is active, a pop-up appears on the touch screen showing a plan view of the vehicle. Touch the screen to cancel the view.

Note: *If a Rear camera is fitted, when reverse gear is selected the camera display is selected automatically. To view the Parking aid display, touch the screen.*

To turn off the system when active, press the Parking aid switch. The indicator on the parking switch will extinguish.

Parking aids

The range of the Parking aid sensors varies between the front, rear and corners of the vehicle.

The front sensors will remain active as long as the vehicle's forward speed does not exceed 10 mph (16 km/h).

Selecting **N** from **R** will keep front and rear sensors active.

When objects are detected, the Parking aid emits a warning tone which increases in frequency as the vehicle gets closer to the object and then becomes constant when the obstacle is within 12 inches (300 mm).

Note: The front Parking aid provides an audible proximity warning when driving forwards and when reversing.

CLEANING THE SENSORS

NOTICE

When washing the vehicle do not aim high pressure water jets directly at the sensors. Do not use abrasive materials or hard/sharp objects to clean the sensors. Only use approved vehicle shampoo.

The sensors should be kept clean to maintain accuracy and performance.

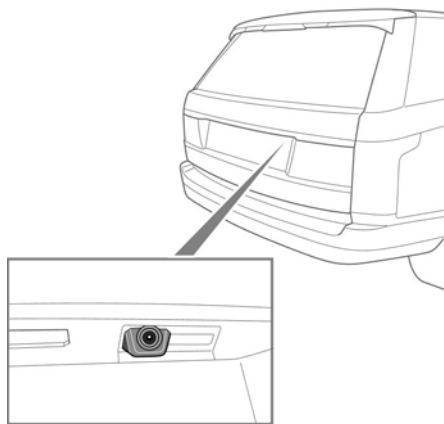
PARKING AID SYSTEM FAULT

If a system fault is detected, a long high-pitched tone will sound, and the switch indicator will flash. Contact your Land Rover Retailer/Authorized Repairer as soon as possible.

REAR CAMERA

⚠ WARNING

It remains the driver's responsibility to detect obstacles and estimate the vehicle's distance from them when reversing.



When reverse gear is selected, the screen automatically displays a wide angle, color image from the rear of your vehicle.

The rear camera system provides a rear view image to assist in reversing the vehicle. Overlaid on the image are reversing guidelines.

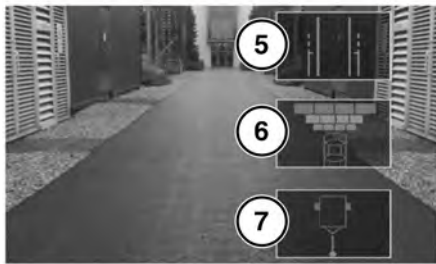
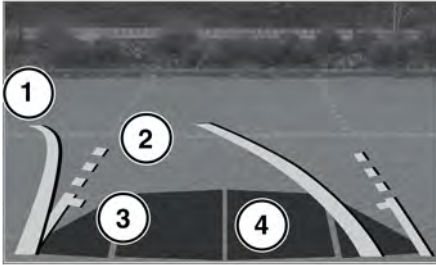
NOTICE

Some overhanging objects or barriers which could cause damage to the vehicle may not be detected by the camera.

Note: A return icon is displayed on the touch screen. Touch this to revert to the previously viewed screen.

Rear camera display on the touch screen will discontinue when either of the following apply:

- Drive is selected for longer than 15 seconds.
- Drive is selected and/or vehicle speed is greater than 11 mph (18 km/h).

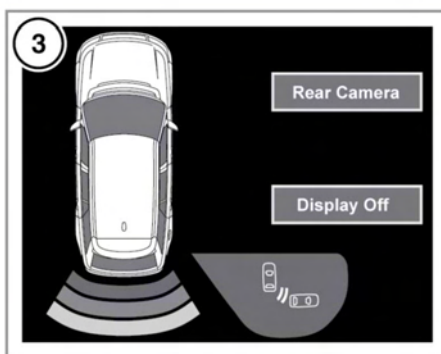
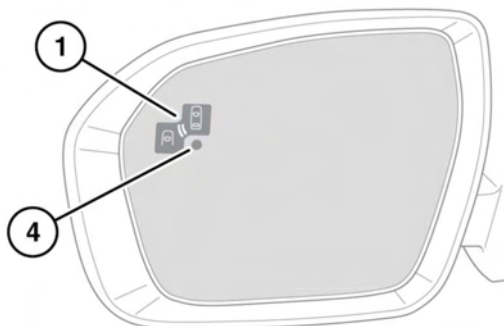


E145190

1. Solid line: The projected path based on current steering wheel position.
2. Dotted line: The safe working width of the vehicle (including exterior mirrors).
3. Tailgate access guideline: Do not reverse beyond this point if tailgate access is required.
4. Parking sensor activation: A colored area appears, to indicate which rear sensor(s) has been activated.
5. User option. Touch to enable/disable (1), (2) and (3).
6. User option. Touch to enable/disable (4) Parking sensor.
7. User option. Touch to enable/disable Hitch Assist guidance lines.

Parking aids

REVERSE TRAFFIC DETECTION



5144826

⚠️ WARNING

The Reverse Traffic Detection (RTD) system is a supplement to, not a replacement for, safe driving, good observation and use of the exterior and rear-view mirrors.

⚠️ WARNING

The system may not be able to provide sufficient warning for vehicles approaching very quickly.

Note: RTD is automatically disabled when a trailer is connected and when Park assist is active.

In addition to the functionality provided by the rear camera, the RTD system provides a warning to the driver of any moving vehicle, at either side, that may pose an accident risk during a reversing maneuver.

An amber warning icon (1) will flash in the relevant exterior mirror and an audible warning will be emitted to indicate the presence of a moving vehicle. The rear camera screen (2) or the parking aid screen (3) will also show a warning on the relevant side(s) of the screen. To switch between the rear camera and the parking aid screen, touch the camera image or the **Rear Camera** icon accordingly.

The system can be enabled or disabled via the instrument panel menu (see **73, INSTRUMENT PANEL MENU**). When RTD is disabled, an amber dot (4) will be displayed in both exterior mirrors.

REVERSE TRAFFIC DETECTION SENSORS

The RTD system will automatically disable if any of the sensors become partially or completely obscured, and the amber warning indicator dot will illuminate in the exterior mirrors and the message **Reverse Traffic Sensor Blocked** appears in the Message center.

Check that there is nothing obscuring the rear bumper and it is clear from ice, frost, snow, mud and dirt.

If a fault with a radar sensor is detected, an amber warning indicator dot will illuminate in the exterior mirrors and the message **Reverse Traffic Detection System Not Available** is displayed in the Message center.

Note: *Even if the detected fault only affects the radar sensor on 1 side of the vehicle, the whole system is disabled. If the fault is temporary, the system will operate correctly once the engine has been switched off and then on again.*

If a fault occurs, consult your Dealer/Authorized Repairer.