

WHEEL CHANGING SAFETY

Before raising the vehicle or changing a wheel, make sure that you read and comply with the following warnings.

⚠ WARNING

Always find a safe place to stop, off the highway and away from traffic.

Make sure that the vehicle and jack are both on firm level ground. Do not jack the vehicle if it is over a metal grating or manhole cover.

Apply the parking brake and engage Park (P).

Make sure the air suspension is set to off-road height.

Switch on the hazard warning lamps.

Make sure that the front wheels are in the straight ahead position.

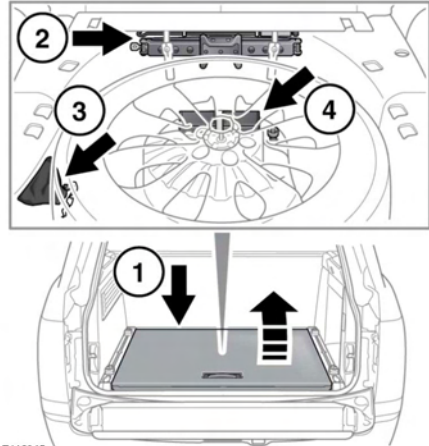
Disconnect trailer from vehicle.

Make sure that all passengers and animals are out of the vehicle and in a safe place, away from the highway.

Place a warning triangle at a suitable distance behind the vehicle, facing towards oncoming traffic.

TOOL KIT

Note: Tool types and positions may vary from the illustration.



1. Loadspace floor panel.
2. Jack.
3. Spare wheel lift assist tool.
4. Tool kit - located under the spare wheel.
See 242, REMOVING THE SPARE WHEEL

Note: Examine the jack occasionally, clean and grease the moving parts, particularly the screw thread, to prevent corrosion.

Note: Take careful note of the stowage position for each tool, as it is important to return them to their correct position after use.

Wheel changing

REMOVING THE SPARE WHEEL

⚠ WARNING

Remove the spare wheel before jacking the vehicle, to avoid destabilizing the vehicle when raised.

The spare wheel is heavy and if handled incorrectly may cause injury. Use extreme caution when lifting, lowering and maneuvering the wheels.

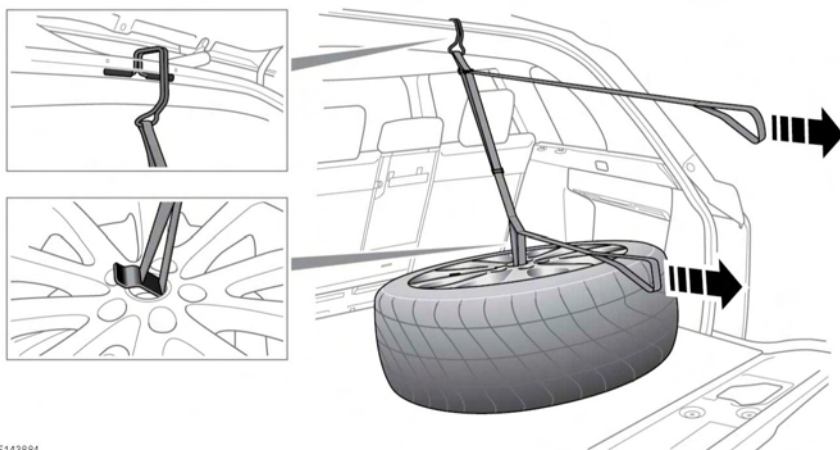
Secure the spare wheel (or the removed wheel) in the correct position using the retaining bolt.

⚠ WARNING

Do not stow the wheel while the vehicle is raised on the jack.

⚠ WARNING

After wheel changing, always secure tools, chocks, jack and replaced wheel in their correct stowage positions. Such objects, if not properly stowed, can become flying missiles in a crash or rollover, potentially causing injury or death.



E143884

Always remove the spare wheel before jacking the vehicle.

Note: Before removing the spare wheel, take note of its stowage position. The wheel to be changed must be correctly stowed and secured in its place.

1. Open the tailgate. See **12, OPENING AND CLOSING THE POWERED TAILGATE.**
2. Remove the loadspace floor panel.
3. Remove the spare wheel retaining bolt.
4. Remove the vehicle jack and the spare wheel lift assist tool. See **241, TOOL KIT.**

5. Attach the lift assist tool as shown.
 - Pull the upper strap to lift up the spare wheel.
 - Pull the lower strap to place the spare wheel on the tailgate.
6. Remove the tool and carefully lift the spare wheel from the vehicle..

Note: Reverse the order to stow the changed wheel.

USING WHEEL CHOCKS

⚠️ WARNING

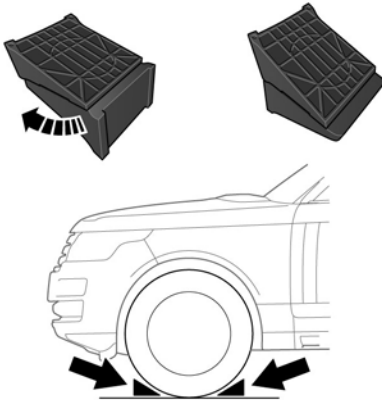
Before raising the vehicle, the wheel diagonally opposite the 1 to be removed must be chocked.

⚠️ WARNING

Always chock the wheels using suitable wheel chocks. Place the chocks on both sides of the wheel diagonally opposite the wheel to be changed.

⚠️ WARNING

If jacking the vehicle on a slight slope is unavoidable, place the chocks on the downhill side of both wheels on the axle not being raised.



E142347

Wheel chocks are stowed in the tool kit.

1. Remove the chocks from the tool kit.
2. Pull the 2 halves slightly apart and twist fully to increase the wedge profile.
3. Position the vehicle on level ground.

Both chocks must be used. Position them on opposite sides of the wheel and push them tightly against the tire.

WHEEL CHANGING

Before raising the vehicle or changing a wheel, make sure that you read and comply with the following warnings.

⚠️ WARNING

Make sure that the vehicle and jack are both on firm level ground.

⚠️ WARNING

Do not jack the vehicle if it is over a metal grating or manhole cover.

⚠️ WARNING

Never place anything between the jack and the ground, or between the jack and the vehicle.

⚠️ WARNING

Always position the jack from the side of the vehicle, in line with the appropriate jacking point.

⚠️ WARNING

WARNING - THAT NO PERSON SHOULD PLACE ANY PORTION OF THEIR BODY UNDER A VEHICLE THAT IS SUPPORTED BY A JACK.

⚠️ WARNING

The jack is designed for wheel changing only. Never work beneath the vehicle with the jack as the only means of support. Always use correctly rated vehicle support stands, before putting any part of your body beneath the vehicle.

⚠️ WARNING

Always use the complete jacking lever assembly throughout the tire changing process, to minimize any chance of accidental injury.

Wheel changing

⚠ WARNING

Take care when loosening the wheel nuts. The wheel brace may slip off if not properly attached and the wheel nuts may give way suddenly. Either unexpected movement, may cause an injury.

⚠ WARNING

Do not start or run the engine while the vehicle is supported only by a jack.

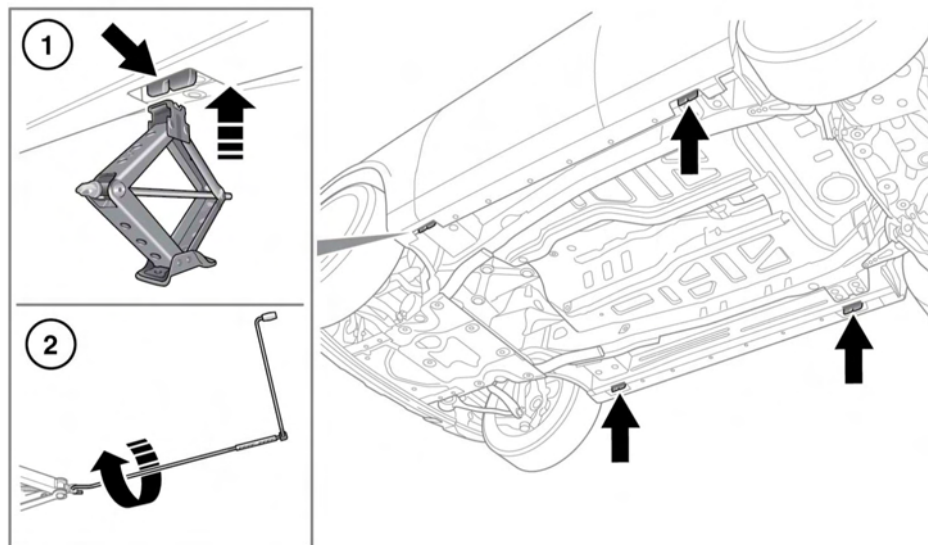
NOTICE

Only jack the vehicle using the jacking points described, or damage to the vehicle could occur.

Note: Your vehicle may be fitted with a tilt sensor which activates the alarm if the vehicle is tilted in any direction after it has been locked. To lock the doors while changing the wheel, and avoid the alarm activating, tilt sensor can be temporarily disabled. **73, INSTRUMENT PANEL MENU**

Note: If side steps or tubes are fitted, the jacking points are located on the underside of the side step or tube brackets.

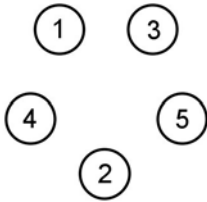
Before raising the vehicle, use the wheel nut brace to slacken the wheel nuts of the wheel to be replaced by half a turn counter-clockwise.



E142346

1. Position the jack under the relevant jacking point under the chassis. Do not allow the jack to contact the chassis or body at any other point as damage may result.
2. Turn the jack lever clockwise to raise until the jack pin locates into the jacking point. Make sure that the base of the jack is in full contact with the road surface.
3. Raise the vehicle using the jack with a slow steady operation. Avoid rapid, jerky actions as they may cause the vehicle/jack to become unstable.
4. Remove the wheel nuts and place them together where they cannot roll away.

5. Remove the wheel and place to 1 side. Do not lay the wheel on its face, as this may damage the finish.
6. Fit the temporary spare wheel to the hub.
7. Re-fit the wheel nuts and lightly tighten them. Make sure that the wheel is making contact with the hub evenly.
8. Make sure that the space under the vehicle is clear of obstructions, then lower the vehicle slowly and smoothly.
9. With all wheels on the ground and the jack removed, fully tighten the wheel nuts. The wheel nuts must be tightened in sequence (see illustration) to the correct torque of 98 lbf.ft (133 Nm).



E132675

Note: *If it is not possible to torque the wheel nuts when a wheel is replaced, they should be set to the correct torque as soon as possible.*

If an alloy spare wheel is to be fitted, using a suitable blunt tool, knock the center cap out of the removed wheel. Using hand pressure only, press the center cap into the newly fitted spare. Check and adjust the tire pressure as soon as possible.

IMPORTANT – USE OF SPARE TIRE

⚠ WARNING

Adhere to the instructions on the temporary spare warning label, affixed to the wheel.

⚠ WARNING

Where fitted the temporary use spare wheel is **FOR TEMPORARY USE ONLY**. Drive with caution while the temporary use spare wheel is fitted. Make sure that an original size wheel and tire are fitted as soon as possible.

⚠ WARNING

Do not fit more than 1 temporary use spare wheel on the vehicle at any 1 time.

⚠ WARNING

Do not exceed 50 mph (80 km/h) while the temporary use spare wheel is fitted.

⚠ WARNING

The temporary use spare wheel must be inflated to 60 psi (4.2 Bar/420 kPa).

⚠ WARNING

DSC must be switched on while the temporary use spare wheel is in use.

⚠ WARNING

Traction devices such as snow chains cannot be used with a temporary use spare wheel.