

## HEAD RESTRAINTS

### ⚠️ WARNING

Head restraints are designed to support the head not the back of the neck. They must be positioned correctly to restrain rearward movement of the head in a collision.

### ⚠️ WARNING

Adjust, so that the top of the head restraint is the same height as the top of the seat occupant's head. Incorrect adjustment increases the risk of death or serious injury in the event of a collision.

### ⚠️ WARNING

It is possible to swivel the head restraint forwards or backwards. For greater protection in the event of a collision, the head restraint should be adjusted so that it is as close to the back of the head as is practical.

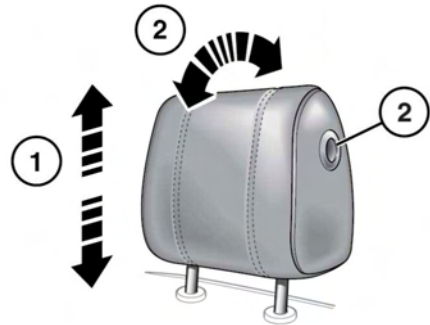
### ⚠️ WARNING

Do not drive, or carry passengers with the head restraints removed from occupied seats. The absence of a correctly adjusted head restraint increases the risk of neck injury in the event of a collision.

### ⚠️ WARNING

Never adjust the head restraints while the vehicle is in motion.

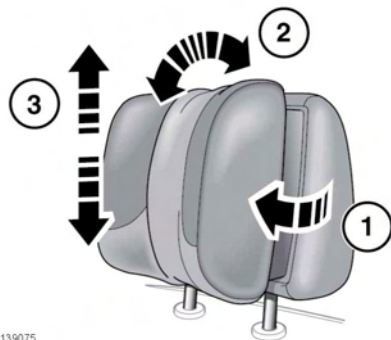
## ELECTRIC HEAD RESTRAINTS



E139074

- To adjust the height of the head restraint.
  - Front (see **23, ELECTRIC SEATS**).
  - Rear (see **22, BUSINESS CLASS SEATS**).
- To adjust the angle of the head restraint, press the locking button on the side of the restraint and tilt to the desired position.

*Note: There is no angle adjustment on head restraints where a rear media screen is fitted.*



E139075

- Pull the wing heads forward in to the first or second position.
- Tilt the head restraint to adjust the angle.

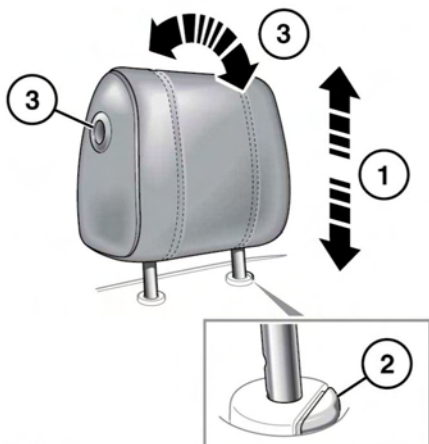
## Head restraints

**Note:** There is no angle adjustment on front head restraints where a rear media screen is fitted.

- To adjust the height of the head restraint.
  - Front (see **23, ELECTRIC SEATS**).
  - Rear (see **22, BUSINESS CLASS SEATS**).

**Note:** It is not possible to remove electric head restraints.

### MANUAL HEAD RESTRAINTS



E139115

- To raise, pull the head restraint upwards. It will click and lock in position.
- To lower, depress the locking button and push down on the restraint.
- To adjust the angle of the head restraint, press the locking button on the side of the restraint and tilt to the desired position.

**Note:** There is no angle adjustment on front headrests where a rear media screen is fitted.

### HEAD RESTRAINT REMOVAL

#### **⚠ WARNING**

Always store a removed head restraint securely.

#### **⚠ WARNING**

Do not drive, or carry passengers with the head restraints removed from occupied seats. The absence of a correctly adjusted head restraint increases the risk of neck injury in the event of a collision or sudden stop.

Manual head restraints may be removed, if required (e.g. to fit larger child seats).

1. Raise the head restraint to its uppermost position and press the locking collar.

2. Lift the restraint out of the seatback

Ensure the head restraint is refitted before the seat is used by a passenger.

1. Make sure the restraint is facing the correct direction.
2. Insert the stems of the head restraint into the sockets on the seatback.
3. Push the restraint downwards until at least the first click.

**Note:** See **36, CHILD SEATS**, for details on correct child restraint installation.