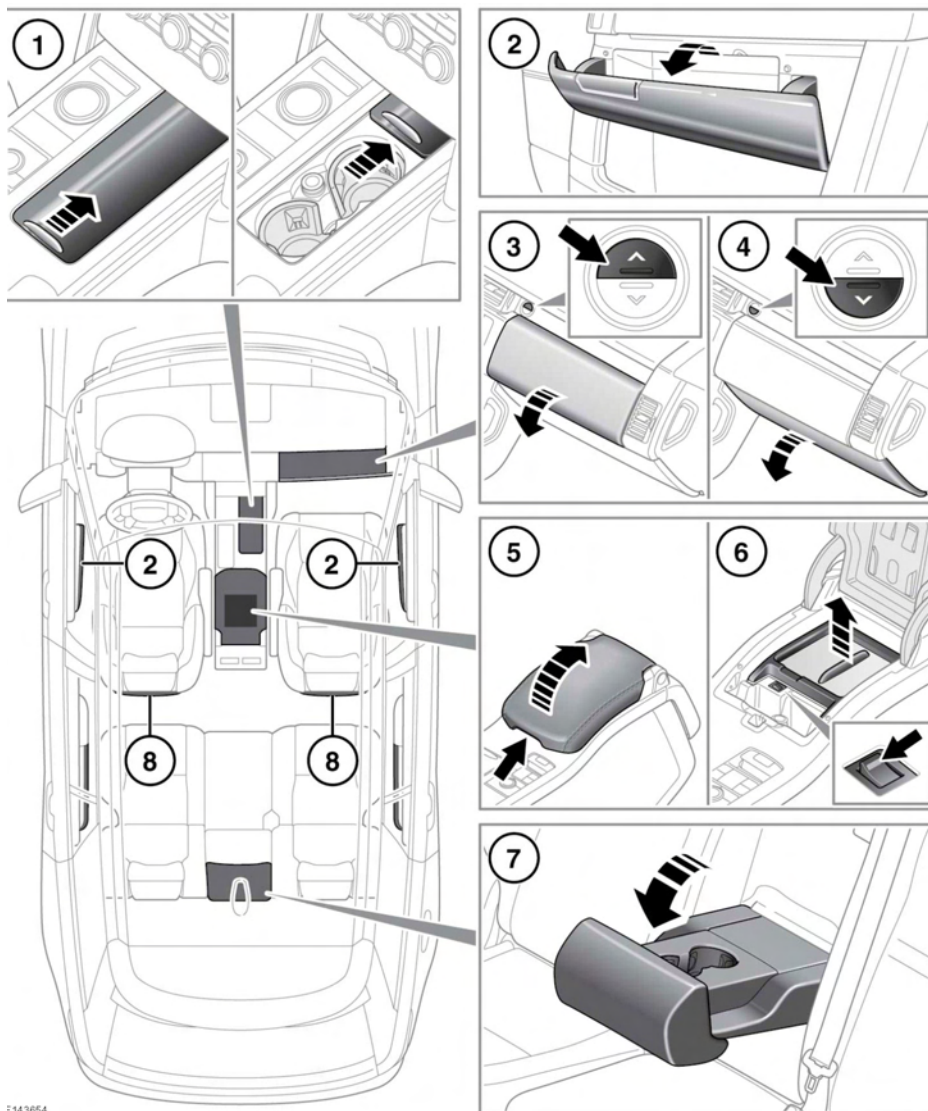


Storage compartments

STORAGE COMPARTMENTS



E143654

⚠ WARNING

Ensure that any items stored in the vehicle are secure and cannot move. If the vehicle is involved in an accident, or subject to sudden braking or direction change, loose items can cause serious injury.

1. Front cup holders: Slide open the panel to access. Press and release to close.
2. Storage bins.
3. Glovebox.
4. Lower glovebox.
5. Center console storage/cool box.

Note: *The rubber mat at the bottom of the center console is designed to hold CD cases.*

6. Cool box: Switch on and off using the switch on the inside front lip. There is a short delay between pressing the switch and illumination of the indicator.

The cool box will work best when the cooling tray is used.

Note: *The cool box will only operate with the ignition turned on.*

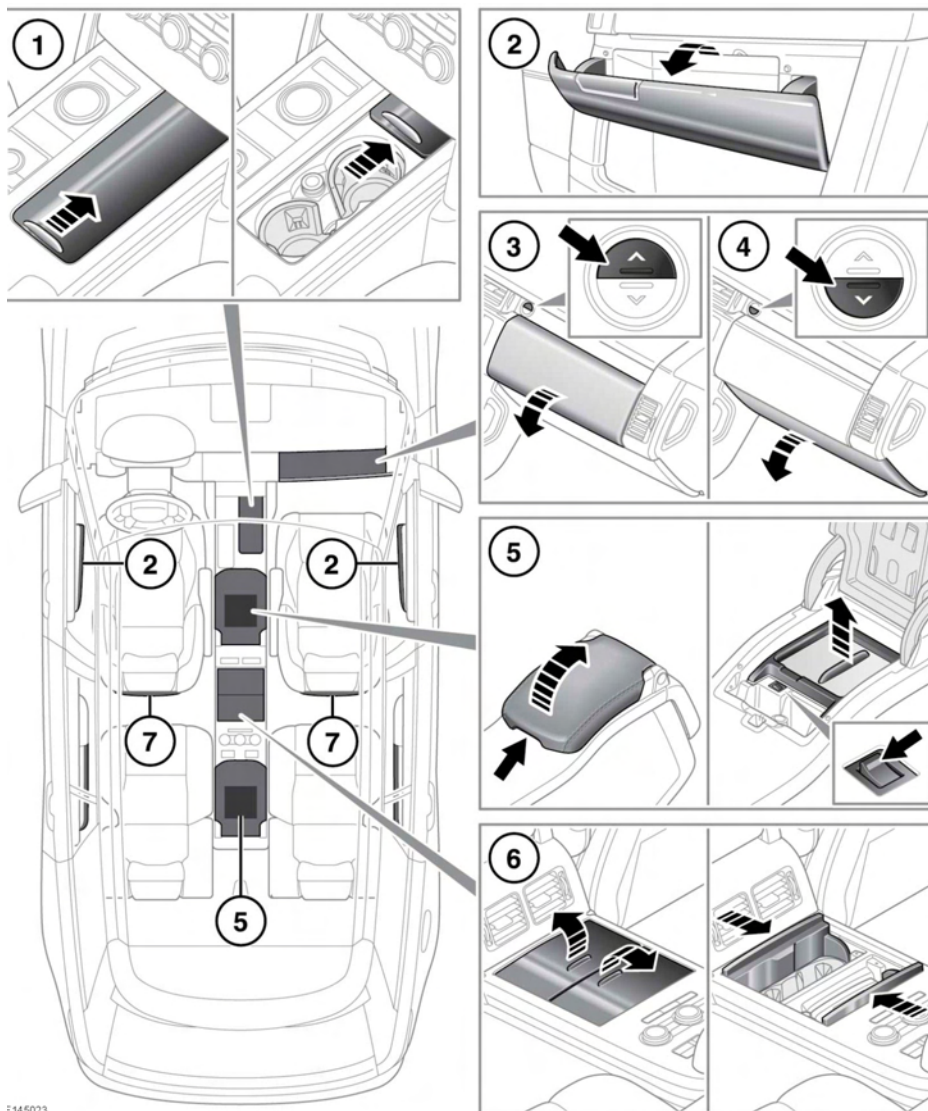
NOTICE

The cool box should be switched off when it is not needed, to preserve battery charge.

7. Rear seat cup holders: Fold the center armrest down.
8. Map pockets.

Storage compartments

Storage compartments - Business class



E145023

1. Front cup holders: Slide open the panel to access. Press and release to close.
2. Storage bins.

3. Glovebox.
4. Lower glovebox.

5. Front and rear cool box: Switch on and off using the switch on the inside front lip. There is a short delay between pressing the switch and illumination of the indicator.

The cool box will work best when the cooling tray is used.

Note: *The cool box will only operate with the ignition turned on.*

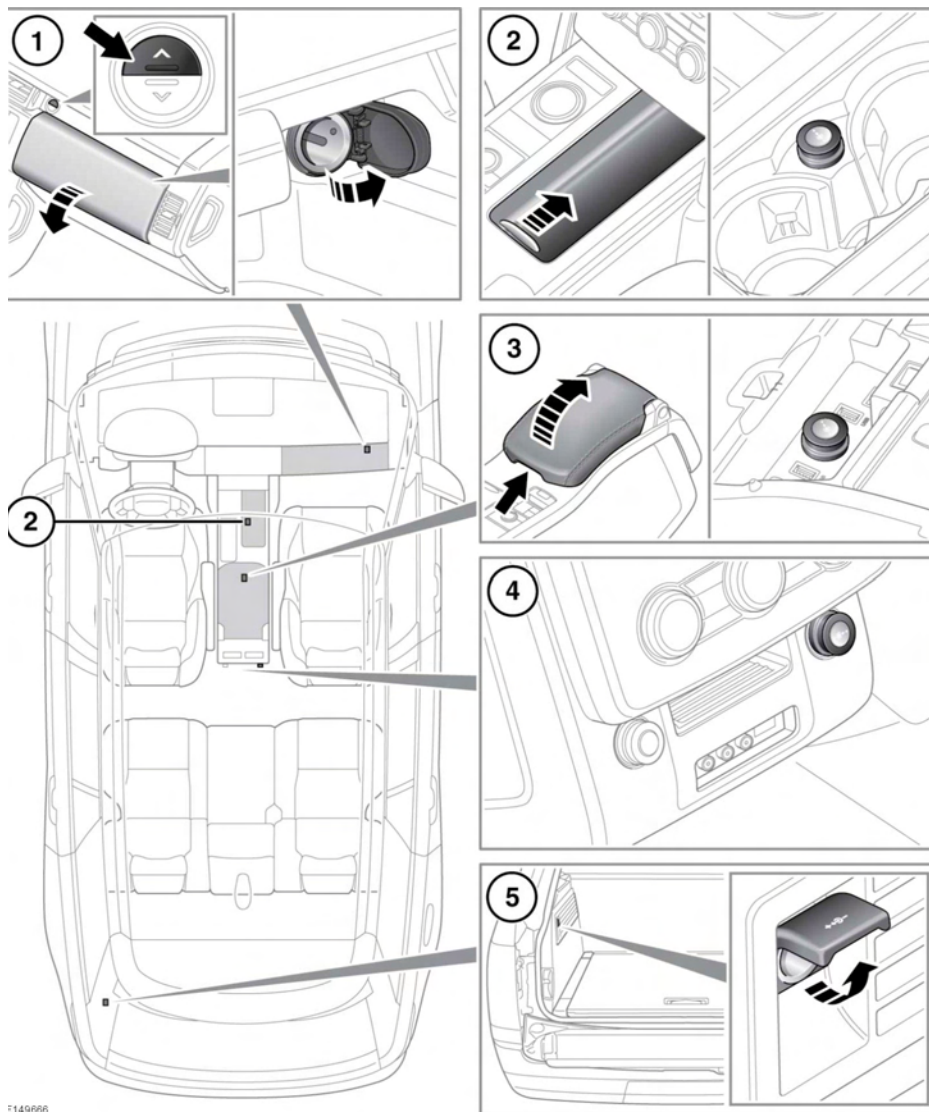
NOTICE

The cool box should be switched off when it is not needed, to preserve battery charge.

6. Rear seat cup holders: Slide open the panel to access. Press and release to close.
7. Map pockets.

Storage compartments

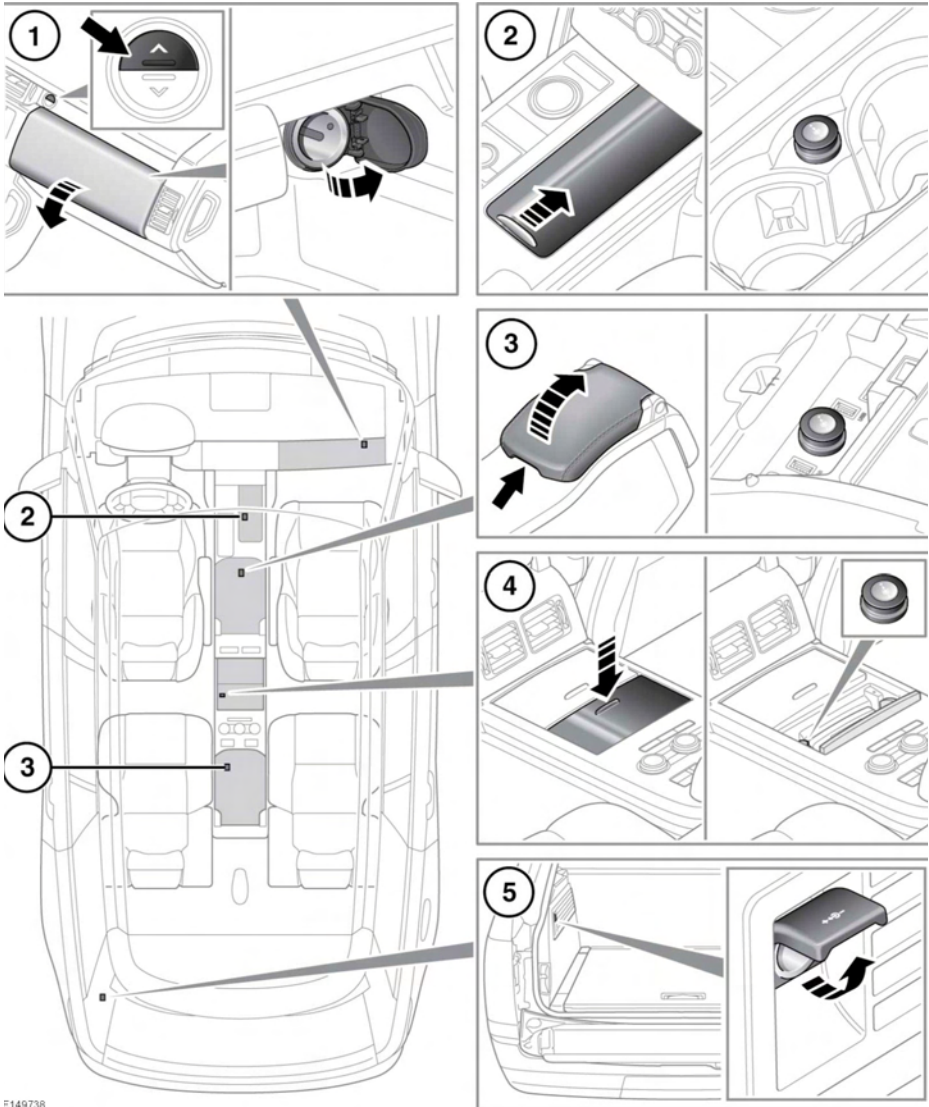
Auxiliary power sockets



E149666

1. Glovebox power socket.
2. Front power socket.
3. Front power socket.
4. Rear power sockets.
5. Loadspace power socket.

Auxiliary power sockets - Business class



E149738

1. Glovebox power socket.
2. Front power socket.
3. Front power socket.

4. Rear power sockets.
5. Loadspace power socket.

Storage compartments

NOTICE

Only use Land Rover approved accessories. Using any other equipment may damage the vehicle's electrical system. If you are in any doubt contact a Land Rover Retailer/ Authorized Repairer.

NOTICE

The engine should be running when using accessories for long periods. Failure to do so can discharge the battery.

Note: *Power sockets can be used to power approved accessories that use a maximum of 180 Watts.*