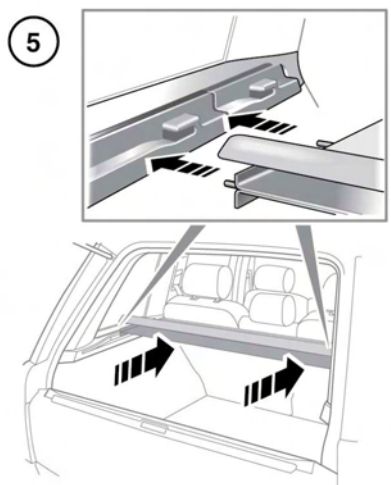
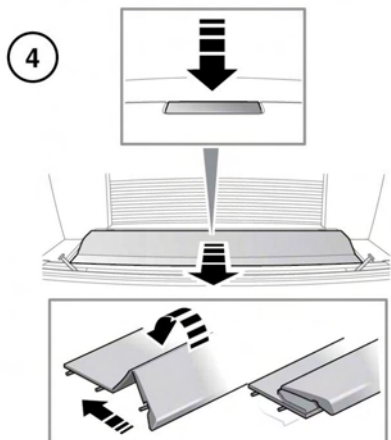
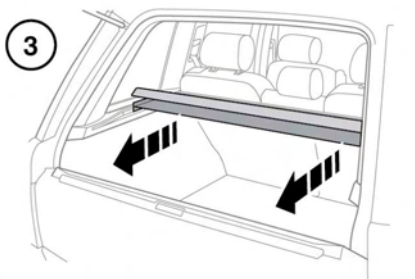
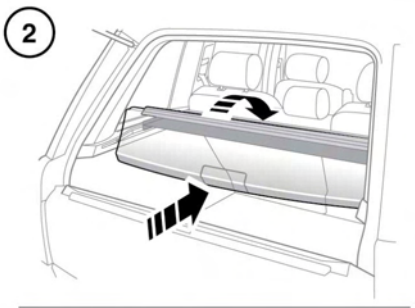
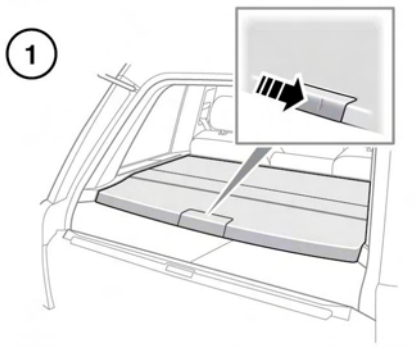


Load carrying

LOADSPACE COVER



I142054

⚠ WARNING

Do not store the loadspace cover loose in the vehicle.

⚠ WARNING

Never place objects on top of the loadspace cover. During an accident or sudden maneuver, loose objects can cause serious injury or death.

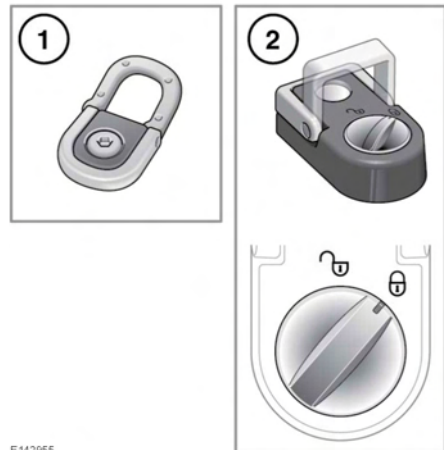
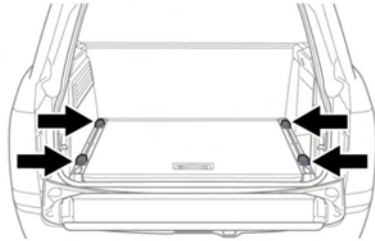
1. To fold the loadspace cover, push firmly down and forwards.
2. Lift slightly and fold forwards.
3. Pull the whole assembly rearwards to disconnect the locating pins. Remove and store safely.

4. If removal from inside the vehicle is necessary, a head restraint may require removal.

From the rear seat, push firmly down on the furthest edge of the cover while pulling it towards the rear seats. The cover will concertina fold allowing access to the loadspace area.

5. To refit the cover, place the assembly in position, engage the pins in the sockets and press firmly to lock the assembly in position.
6. If required, pull the outer edge towards the rear to cover the loadspace area.

LUGGAGE ANCHOR POINTS



E142955

⚠ WARNING

All items carried in the loadspace area should be properly secured. If the vehicle is involved in an accident, subject to sudden braking or change of direction, loose items can cause serious injury.

1. To assist in safely securing large items of luggage, 4 lashing eyes are located in the rear loadspace floor.

Load carrying

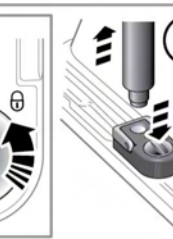
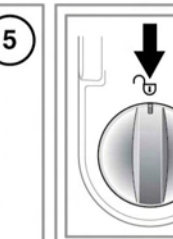
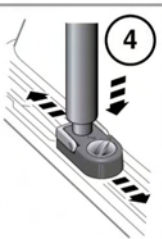
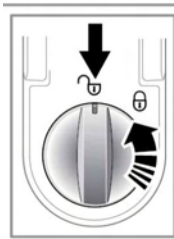
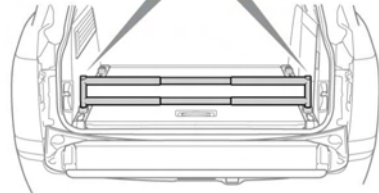
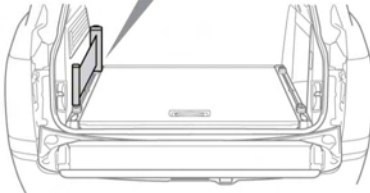
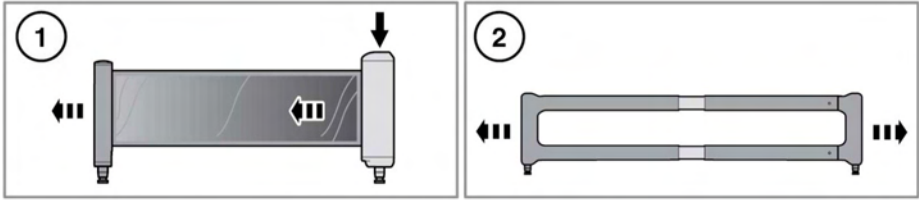
2. If adjustable lashing eyes are fitted, first turn the locking button counter clockwise to unlock. Press the button and slide to the required position in the luggage rail. Release the button to latch into position. Move the lashing eye slightly until you hear a click. The lashing eye is now secured. Turn the button clockwise to lock.

Note: *A range of approved luggage retention accessories are available from your Land Rover Retailer/Authorized Repairer.*

LUGGAGE DIVIDER

A luggage divider kit is provided to assist with safely securing items of luggage to the loadspace floor.

Floor mounted luggage rails provide a full width mounting channel that will accommodate a flexible retracting band and/or a solid telescopic divider to retain soft and hard luggage of all shapes and sizes.



E143014

1. Press and pull to adjust length required of retracting band.
2. Adjust divider to length required.
3. Unlock required lashing eye, attach the luggage band/divider to lashing eye.

Load carrying

4. With the lashing eye in the unlocked position, press the switch and slide to the required position in the luggage rail.
5. Lock lashing eye when in required position.
6. To remove luggage band/divider from lashing eye, unlock lashing eye and press the lock/unlock switch and release.