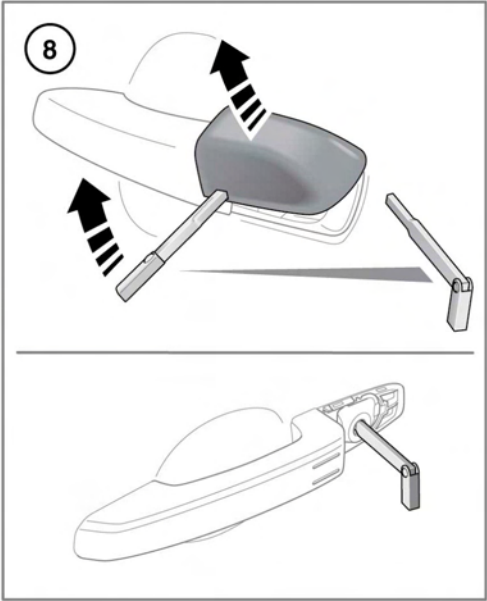
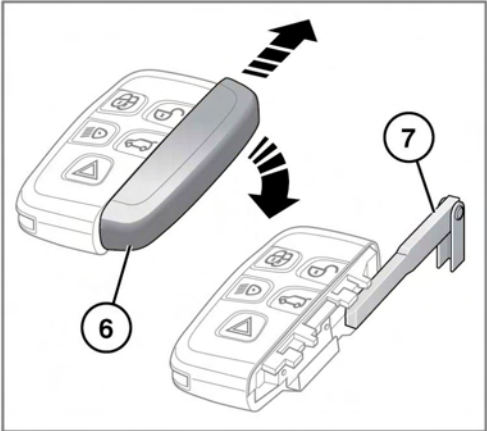
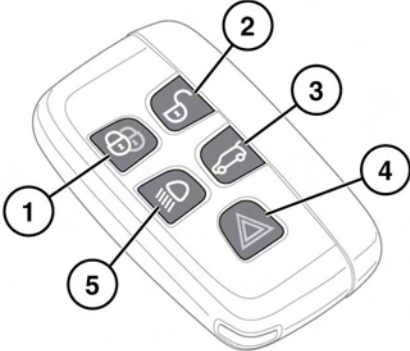


UNLOCKING THE VEHICLE



E140776

**⚠ WARNING**  
To prevent accidental or unauthorized operation, never leave the Smart Key

unattended in the vehicle. Never leave children or animals unattended in the vehicle. The vehicle can be operated when the Smart Key is inside the vehicle.

## Entering the vehicle

**Note:** The operational range of the Smart Key will vary considerably depending on atmospheric conditions and interference from other transmitting devices.

**Note:** If any door or the tailgate is unlocked 10 times within a short period, the latch is disabled for approximately 1 minute.

The vehicle is supplied with 2 Smart Keys. The Smart Keys act as remote controls for the locking and alarm system and allow the vehicle to be locked, unlocked and driven without the use of a conventional key. See **11, KEYLESS ENTRY, 16, KEYLESS LOCKING** and **101, STARTING THE ENGINE**. Each Smart Key also has an emergency key housed in a slide out compartment.

### 1. Lock:

- Press to secure the vehicle. See **16, LOCKING AND ARMING THE ALARM**.

### 2. Unlock:

- Press briefly to unlock the vehicle and deactivate the alarm. The hazard warning lamps will flash twice to indicate that the vehicle is unlocked and the alarm has been deactivated. The exterior lamps, interior lamps and approach lamps will illuminate to assist entry to the vehicle. See also **11, GLOBAL OPENING**. Power fold mirrors will unfold (if enabled).

### 3. Tailgate release:

- Press briefly to open the tailgate. If the vehicle is locked and armed, the security system will remain active while the tailgate is open. When closing the tailgate again, if the vehicle is already locked and armed, the hazard warning lamps will flash after a few seconds to confirm the full alarm system has been reactivated.

**Note:** Make sure that the Smart Key does not remain in the vehicle before closing. If the vehicle is in an area of localised Radio Frequency (RF) interference or the Smart Key is shielded by metal objects, the vehicle may close and lock with no means of opening again.

### 4. Panic alarm:

- Press and hold for 3 seconds (or press 3 times within 3 seconds) to activate the horn and the hazard lamps.
- Once active for more than 5 seconds, the alarm can be cancelled by pressing the button and holding for 3 seconds (or pressing 3 times within 3 seconds).
- The emergency alarm will also be cancelled if a valid Smart Key is present when the START/STOP button is pressed.

### 5. Approach illumination:

- When approaching the vehicle during darkness, press to switch on the approach illumination. Press again to turn the approach lamps off.  
**Note:** In some markets a second press of the button will turn on the headlamps and reversing lamps. A third press will be required to turn the lamps off.
- The approach illumination period set at the factory is 30 seconds. This delay period may be configured to provide illumination lasting between 0 and 240 seconds. See **73, INSTRUMENT PANEL MENU**.

### 6. Emergency key access: Slide open the side cover to release, then remove.

### 7. Remove the emergency key blade and unfold.

8. If the Smart Key fails to open the vehicle, insert the key blade into the slot at the base of the door lock cover and gently lever the key blade upwards. Carefully rotate the door lock cover upwards, to lever the cover off the retaining clips. Insert the key blade into the exposed lock and turn to operate the lock. The alarm will sound.

See **102, KEYLESS START BACKUP**.

**Note:** *When the driver's door is unlocked using the key blade, the alarm will sound until the Smart Key is positioned correctly.*

**Note:** *A replacement Smart Key can be obtained only from your Land Rover Retailer/Authorized Repairer. The Land Rover Retailer/Authorized Repairer will require proof of identification and ownership.*

*Notify your Land Rover Retailer/Authorized Repairer immediately if a Smart Key is lost or stolen.*

9. Keyless entry/exit:
  - Exterior door handles have separate unlock and lock sensors. The unlock sensor is located on the inner surface of the handle.

## SINGLE/MULTI-POINT ENTRY

When you press the unlock button, your vehicle will unlock in 1 of 2 ways:

1. Single Point Entry: Unlocks the driver's door and fuel filler only. A second press is required to unlock the remaining doors and the tailgate.
2. Multi-Point Entry: Unlocks all doors, fuel filler flap and the tailgate on the first press.

To change from Single to Multi-Point entry (or vice versa), press both the lock and unlock buttons simultaneously for 3 seconds. The hazard warning lamps will flash twice to confirm the change.

This feature may also be set via the **Vehicle Set-Up** menu. See **73, INSTRUMENT PANEL MENU**.

## GLOBAL OPENING

Press and hold the unlock button for 3 seconds to unlock the vehicle and open all windows.

To cancel global opening, press any of the buttons on the Smart Key or operate the driver's window switch. To stop a particular window opening, operate the relevant window switch.

**Note:** *Global opening does not open the sunroof.*

This feature can be enabled/disabled via the **Vehicle Set-Up** menu (see **73, INSTRUMENT PANEL MENU**).

## KEYLESS ENTRY

Keyless entry allows the vehicle to be opened if a Smart Key is within 3ft (1.0m) of the door handle or the tailgate external switch.

**Note:** *The Smart Key may not be detected if it is placed within a metal container or if it is shielded by a device with a back-lit LCD screen, such as a smart phone, laptop (including laptop bag), games console etc. Keep the Smart Key clear of such devices when attempting Keyless entry or Keyless starting.*

**Note:** *The Smart Key needs only to be on the driver's person or in a non-metallic bag or briefcase. It does not need to be exposed or handled.*

To enter the vehicle, just pull the door handle. The alarm will be disarmed and the doors unlocked according to the current unlock/entry setting (Single or Multi-Point). The hazard warning lamps will flash twice as 'unlock' confirmation. Power folded mirrors will fold out (if enabled).

## Entering the vehicle

*Note: If Single Point Entry is the current security setting and a door other than the driver's door is opened first, all doors will unlock.*

### **NOTICE**

*Do not operate the tailgate if a cycle rack is fitted to the tailgate. Remove any cycles and/or racks before operating the tailgate.*

## REMOTE KEY FOB SYSTEM TRANSMITTERS

### **⚠ WARNING**

**Any person fitted with an implanted medical device should be kept at a distance of at least 8.7 inches (22 cm) away from any transmitter mounted in the vehicle. This is to avoid any possibility of interference between the system and the device. Interference may cause the implanted medical device to malfunction, causing serious injury or death. For information concerning the locations of the security system transmitters, see 213, REMOTE KEY FOB TRANSMITTER LOCATIONS.**

## DRIVE-AWAY LOCKING

Drive-away locking automatically locks all the doors when the vehicle is in motion. This feature can be enabled/disabled via the **Vehicle Set-Up** menu (see 73, **INSTRUMENT PANEL MENU**).

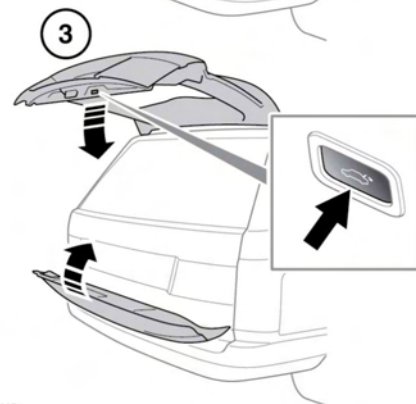
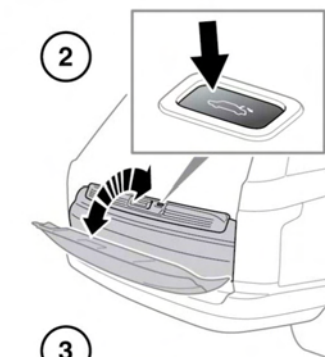
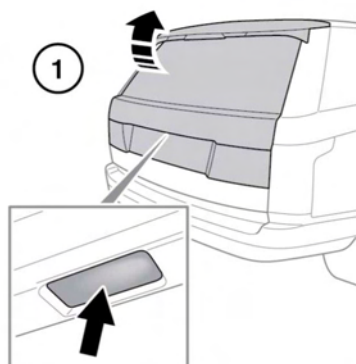
*Note: Pressing the lock or unlock button on the Smart Key will override drive-away locking for the current journey.*

## OPENING AND CLOSING THE POWERED TAILGATE

### **NOTICE**

*Make sure there is minimum space of 39 inches (1.0 meter) above the rear of vehicle before operating the tailgate. Insufficient space may result in damage to the vehicle.*

## Entering the vehicle



E140671

1. Upper tailgate open/close. Press to open/close the upper tailgate.

**Note:** When using the upper tailgate

*external release switch, all doors must be unlocked and the gear selector in either Park (P) or (N) position.*

2. Lower tailgate open/close. Press to open or close the lower tailgate.
3. Tailgate complete close. This button will close the upper and lower tailgate.

The upper tailgate can also be released using the following methods.

- The interior tailgate release switch. See **266, DRIVER CONTROLS**.
- The Smart Key tailgate release switch. See **9, UNLOCKING THE VEHICLE**.

**Note:** The tailgate will not open if the vehicle is travelling at or above approximately 3 mph (5 km/h).

After the tailgate has opened to its set height, it can be manually raised or lowered. If the tailgate fails to open or close correctly, close it manually then press the tailgate release switch again.

As the closing tailgate approaches the closed position, it will 'soft close' to the fully-closed position. If the vehicle was previously locked, the alarm will re-arm. The hazard warning lamps will flash to confirm the lock status.

**Note:** If a tailgate switch is pressed while the tailgate is opening or closing, all movement will stop. However, if a switch is pressed during the 'soft close' stage, the open request will be ignored.

**Note:** The tailgate has a minimum closing height, below which it will not power close. Open the tailgate manually to the fully open position and then press the tailgate complete close button.

## Entering the vehicle

### **⚠ WARNING**

**Before operating the tailgate, make sure that anyone in the vicinity does not have any part of their body in a position where it could be trapped. Note that the 'soft close' action does not incorporate object detection. Death or serious injury could occur, even with an object detection system.**

Object detection while opening: If an object is detected that would interfere with the tailgate opening, tailgate movement will stop. Remove any obstructions and press the tailgate switch again to open.

Object detection while closing: If an object is detected that would interfere with the tailgate closing, tailgate movement will stop and then reverse a short distance. An audible warning will be given to indicate a mislock. Remove any obstructions and press the tailgate switch again to close.

### **NOTICE**

*While the tailgate is open, the locking platform and latch are exposed. Do not manually close the latch as it may also automatically 'soft close' and trap items or body parts.*

### **TAILGATE OPENING HEIGHT**

It is possible to set the maximum height to which a powered tailgate will open. This is useful in parking areas with very low roofs or just for ease of use.

1. Open the tailgate to the position which you want to set as the maximum height.

Press any \*external tailgate control to stop movement or position manually.

**Note:** \*Not the Remote key fob or internal switch.

2. Make sure that the tailgate is stationary for at least 3 seconds.

3. To set the opening height: Press and hold the tailgate close button, on the tailgate, until you hear a chime.
4. Close the tailgate, then open again to check that it opens to the programmed height.

**Note:** *If, after performing part 3 of the process the tailgate closes automatically, the required height has not been set. Repeat the process ensuring that all steps are adhered to.*

To reset the maximum opening height to full, repeat the process, but manually move it to the fully open position before pressing and holding the button.

The powered tailgate may lose its position memory if there are multiple object detections or if the battery voltage is low. Powered operation may be inhibited.

To reset the tailgate:

1. Manually close the tailgate.
2. Press a tailgate release switch.
3. Allow the tailgate to power fully open or to the previously set position.
4. Press and release the close switch.
5. Allow the tailgate to power close fully.

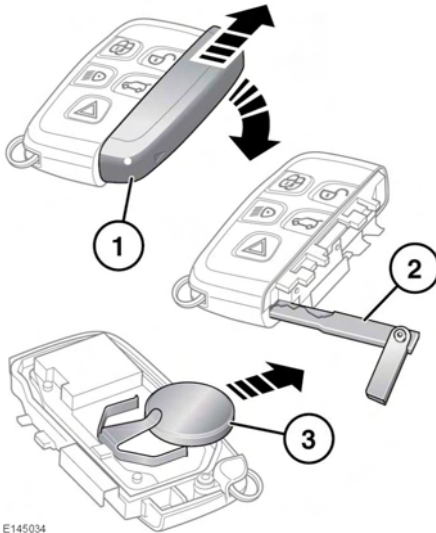
The tailgate programmed position memory will now be restored.

### **DISABLING THE POWERED TAILGATE**

The powered tailgate can be disabled by pressing and holding the lower tailgate open/close button for 20 seconds. An audible confirmation tone will sound if the operation is successful. To re-enable the powered tailgate, repeat the procedure.

## REMOTE KEY FOB BATTERY REPLACEMENT

When the battery needs replacing, there will be a significant decrease in the effective range and the message **SMART KEY BATTERY LOW** will be displayed in the Message center.



E145034

To replace the battery:

1. Remove the cover by sliding in the directions of the arrows.
2. Use the emergency key blade to separate the Smart Key body.
3. Fit a new and unused CR2032 type battery (available from a Land Rover Retailer/Authorized Repairer) with the positive (+) side upwards.

**Note:** Avoid touching the new battery. Moisture/oil from fingers can reduce battery life and corrode the contacts.

Refit the parts in reverse order, ensuring that they click securely into place.



**Battery disposal:** Batteries contain harmful substances and must be disposed of correctly. Seek advice on disposal from a Land Rover Retailer/Authorized Repairer and/or your local authority.