

PORTABLE MEDIA CONTROLS

⚠ WARNING

Do not adjust the touch screen controls, or allow the system to distract the driver, while the vehicle is moving. Driver distraction can lead to accidents, causing serious injury or death.

⚠ WARNING

Make sure that any auxiliary devices are stored securely while the vehicle is in motion. Any loose objects are potential hazards during sudden maneuvers, emergency braking or accidents.

⚠ WARNING

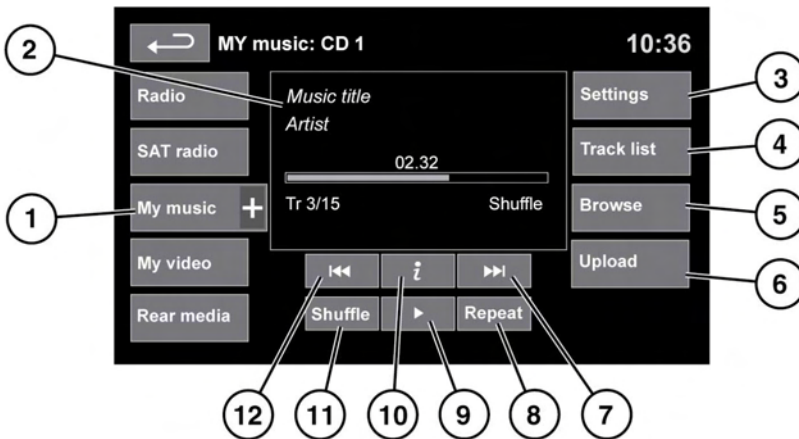
Sustained exposure to high sound levels (greater than 85 decibels) can damage your hearing.

NOTICE

Do not place any item connected to the auxiliary input socket or the auxiliary power socket on the seats, carpets, or other upholstery. The heat generated by these devices may cause damage to the vehicle and, in some extreme cases, a fire.

NOTICE

Read the manufacturer's instructions for any device, before it is connected to the audio system.



E141034

See **142, AUDIO/VIDEO CONTROLS**.

My music includes CD, iPod, USB, AUX and Bluetooth® wireless technology devices. The full infotainment system also includes Stored CD.

1. Touch the **My music +** icon to display all options. Select an option.

Note: Sound quality and volume levels available from devices connected to the auxiliary input may vary widely.

2. Display of information about the current track, including elapsed run-time. Some of this information is also displayed in the instrument panel.

Note: Only connected devices that support ID3 shall have the information displayed.

3. **Settings:** For MP3 recorded media, you can select the number of list entries that are skipped when you use the page up/down arrows when navigating a list.
4. **Track list.** Select to view current CD or Stored CD track list. Select a track to start playback.
5. **Browse.** (iPod, USB and Stored CD modes only).
 - Select to view the contents of the connected device which are displayed as dictated by the file structure.
 - Select a file to start playback (Browse view will remain). Select a folder or subfolder to view their contents.
 - To return to the Controls menu, select the Back soft key.

Note: If the iPhone is connected via a USB cable so that audio can be played or for phone charging, **Bluetooth wireless technology devices audio is disconnected.**

6. **Upload:** Applicable to Stored CD menu only.
Select to view and manage the CDs loaded onto the CD store.
 - Select **Upload** alongside an empty slot to upload the current CD. There are 10 slots available.
 - If the CD store is full, select **Replace** to overwrite an existing CD.

In each case a confirmation pop-up will appear. Select **Yes** to continue.

Note: Loading time is dependent on content type. A % count up is displayed. Other features can be selected while upload is in progress.

7. Skip/Scan forward:

- Touch and release to skip to the next track.
- Touch and hold to scan forwards through the current track. Play will resume when the soft key is released.

8. Repeat:

In **CD** mode:

- Touch and release to repeat the current track continuously until Repeat mode is cancelled. **Repeat track** is displayed.
- Touch and release again to repeat the current Stored CD (or folder for MP3 discs) continuously until Repeat mode is cancelled. **Repeat disc** or **Repeat folder** is displayed.
- Touch and release a third time to cancel Repeat mode.

Note: Selecting **Shuffle** will cancel Repeat mode, but **Repeat track** can be selected with Shuffle mode active (cancels the previously selected shuffle mode).

In **USB** or **iPod** mode:

- Select to repeat the current track.
- Select again to repeat the current folder (USB) or to cancel repeat mode (iPod). Select again to cancel repeat mode in USB.

Note: Repeat mode is not available for **Bluetooth wireless technology devices.**

Note: Selecting **Shuffle** will cancel Repeat mode.

9. Pause/Play: Select to pause playback. Select again to resume playback.
10. Information: More information about the current track.
11. Shuffle:
 - Touch and release once to play random tracks from the current CD, MP3 folder, USB folder or iPod playlist. A **Shuffle** message is displayed.

- Touch and release again to play random tracks from CD, MP3 disc, USB folders or tracks on the media device or tracks loaded onto the CD store. **Shuffle all** is displayed.
- Touch and release again to cancel Shuffle mode

Note: Shuffle mode is not available for **Bluetooth** wireless technology devices.

12. Skip/Scan backward:

- Touch and release within 3 seconds of track playback to skip to the previous track.
- Touch and release after 3 seconds of track playback to skip to the beginning of the current track.
- Touch and hold to scan backwards through the current track. Playback will resume when the soft key is released.

PORTABLE MEDIA CONNECTIONS

Portable media devices can be connected to the front media hub located in the cubby box. Rear seat passengers can connect at the rear of the center console. Compatible portable devices include:

- USB mass storage devices (e.g. a memory stick). Devices must use FAT or FAT32 file format.
- iPod® (iPod Classic, Touch, Nano and iPhone® are supported - full functionality for older devices cannot be guaranteed). iPod Shuffle functionality cannot be guaranteed.
- Auxiliary device (personal audio, MP3 players, all iPods).

Note: Auxiliary devices have no touch screen control.

If you are connecting an iPod, mass storage or **Bluetooth**® wireless technology device, use the touch screen to operate and search the device. Many of the controls are similar to those available for CD play.

NOTICE

Please disconnect your iPod when leaving the vehicle. Failure to do so may result in the iPod battery discharging.

Note: The audio system will play MP3, WMA and AAC files.

To maximize playback quality, it is recommended that lossless compression is used for any media files on USB or iPod. Failing this, it is recommended that compressed files utilize a minimum bitrate of 192 kb/s (a higher bitrate is strongly recommended).

Note: iPod and iPhone are registered trademarks of Apple Inc., registered in the U.S. and other countries.

Note: Some MP3 players have their own file system that is not supported by this system. To use your MP3 player, you must set it to USB Removable Device or Mass Storage Device mode. Only music that has been added to the device in this mode can be played.

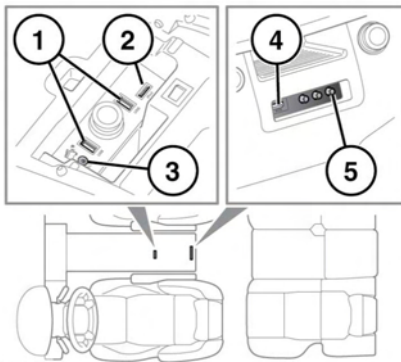
For a list of compatible **Bluetooth** wireless technology devices, please refer to the Land Rover website at www.landrover.com.

The **Bluetooth** wireless technology devices listed have been tested for compatibility with Land Rover vehicles. Performance will vary, based on the device's software version and battery condition. Devices are warranted by their manufacturer, not Land Rover.

CONNECTING A DEVICE

NOTICE

Always refit the rubber cover when a portable device is not plugged in. This prevents damage to the sockets. The cover is not waterproof.



E143670

NOTICE

Read the manufacturer's instructions for any device, before it is connected to the audio system. Ensure that the device is suitable, and comply with any instructions regarding connection and operation. Failure to do so may result in damage to the vehicle's audio system or the auxiliary device.

Connect the device into the appropriate socket.

1. USB sockets.
2. iPod socket.
3. 3.5 mm AUX socket.
4. Rear media USB/iPod sockets.
5. Rear media AV sockets.

NOTICE

Do not plug non-audio devices into the USB port.

Note: Use the cable supplied with your media device to connect to the USB socket.

Note: A USB hub cannot be used to connect more than 1 USB device to the audio unit.

Note: Devices connected to the USB ports will be charged, but devices that are fully discharged will not play.

Note: In some cases if an iPhone is connected via a USB cable for music and also to a **Bluetooth** wireless technology device for other phone functions, the audio will stream through only the last connected port. For example if a **Bluetooth** wireless technology device is the last connection made to the iPhone and the iPod lead is connected, no audio will be heard through the speakers via the iPod lead. Track title and time information will still be shown on the display. Audio output from the speakers will only be obtained if the user chooses audio mode on the **Bluetooth** wireless technology device. To address this issue disconnect and reconnect your device's USB cable or open the iPod application on the iPhone, select the **Bluetooth** icon and select Dock Connector on the pop up."

When an iPod is connected, playback will continue from the point at which it was last playing, provided the iPod battery is in a good state of charge.

Note: Options such as **Repeat** and **Mix** relate to the device currently playing, they will not apply to any subsequent device.

The 3.5mm AUX socket allows extra equipment (e.g. personal stereos MP3 player, hand-held navigation unit, etc.) to be connected to the audio system.

Note: iPod shuffle may be connected via the AUX socket.

Note: On vehicles fitted with rear seat entertainment, extra Audio/Visual sockets are provided. This allows auxiliary equipment (such as a video game console) to be linked to the rear DVD screens. For installation information, please refer to the manufacturer's instructions.

PLAYING A PORTABLE DEVICE

If you are using a USB mass storage device or approved iPod, you can control playback using the touch screen controls.

If you are using a **Bluetooth**® wireless technology device, you can control playback using the touch screen, but some controls are unavailable.

If you are using any portable media device via the AUX socket, then you must control playback from the device itself.

NOTICE

Land Rover does not recommend the use of a Hard Disc Drive via the USB link while the vehicle is in motion. These devices are not designed for in car use and may be damaged.

CONNECTING MULTIPLE DEVICES

NOTICE

Do not plug non-audio devices into the USB port.

You can connect multiple devices simultaneously to the portable media interface and switch between them using the touch screen. Select **iPod**, **USB**, **Bluetooth** or **AUX**, to switch between modes.

The device docked first will remain the active device until you choose to change.

If, after changing to the newly-docked device, you change back to the first device, play will resume at the point you left it (USB and iPod only).

Note: You cannot use a USB hub to connect more than 1 USB device to the audio unit.

Note: Devices connected to the iPod and USB ports will be charged, but devices that are fully discharged will not play.

Note: Options such as **Repeat** and **Shuffle** relate to the device currently playing; they will not apply to any subsequent device.

PAIRING AND CONNECTING USING THE MEDIA PLAYER

For further information on **Bluetooth**® wireless technology, see **168, BLUETOOTH® INFORMATION**.

Note: The process of pairing and connecting your media device with the vehicle, using the media device, will vary depending on the type of media device

1. Switch on the ignition and ensure the touch screen is active.
2. From the Home menu, select **Audio/Video**, then the **My music +** soft key.
3. Touch **Bluetooth**.
4. A menu will appear. Select **Change device**.
5. Select **Device to vehicle** option.

Note: The vehicle's **Bluetooth** wireless technology system is only discoverable for 3 minutes.

6. Using the media device, search for **Bluetooth** wireless technology devices. On some media devices, this is referred to as new paired device. See your media device's operating instructions for further information.
7. When the vehicle's **Bluetooth** wireless technology system is discovered, follow the on-screen instructions. Select **Yes** when prompted, to confirm the pairing.

Either your device or the vehicle system will ask for a PIN (Personal Identification Number). When prompted, enter a PIN of your choice and select **OK** to confirm.

8. Enter the same PIN into the other device.
9. Once your device is paired and connected to the system, a confirmation message will be displayed, before switching to the **My music, Bluetooth** screen.

***Note:** Some media players do not automatically connect and need to be manually connected, via the device or by using the **Change device** option.*

PAIRING AND CONNECTING USING THE TOUCH SCREEN

For further information on **Bluetooth®** wireless technology, see **168, BLUETOOTH® INFORMATION**.

1. Switch on your **Bluetooth** wireless technology device connection. Make sure that it is in **Bluetooth** wireless technology device discoverable mode, sometimes referred to as 'find me' mode (see your device's operating instructions for more information).
2. Switch on the ignition and ensure the touch screen is active.
3. From the Home menu, select **Audio/Video**, then **My music**.
4. Touch **Bluetooth**.
5. A menu will appear. Select **Change device**.
6. Select **Vehicle to device**.
7. Identify your device from the displayed list and select the corresponding **Pair and connect** option.

***Note:** If more than 5 devices are detected, it may be necessary to use the scroll bar to see the entire list.*

8. When prompted, enter the PIN (Personal Identification Number) code into your device. See your device's operating instructions for more information.
9. Once your device is connected to the system, a confirmation message will be displayed, before switching to the **My media, Bluetooth** view.

***Note:** Due to the duration of a **Bluetooth** wireless technology device search, it is advised that the time-out to home screen feature is switched off before attempting to search for **Bluetooth** wireless technology devices. This setting can be changed within **Set-up, Screen, Time out home**.*

LOSS OF CONNECTION

If a loss of connection between the vehicle and the **Bluetooth®** wireless technology device occurs, a pop-up is displayed. Select **Reconnect** to automatically restore the connection. A confirmation pop-up will appear before the touch screen reverts to its previous mode.

CHANGING/DISCONNECTING A DEVICE

1. From the menu, select **Change device**.
2. Select **Disconnect**. A confirmation pop-up will appear and then you will be given the option to **Search new** or select a different device from the list of paired devices.