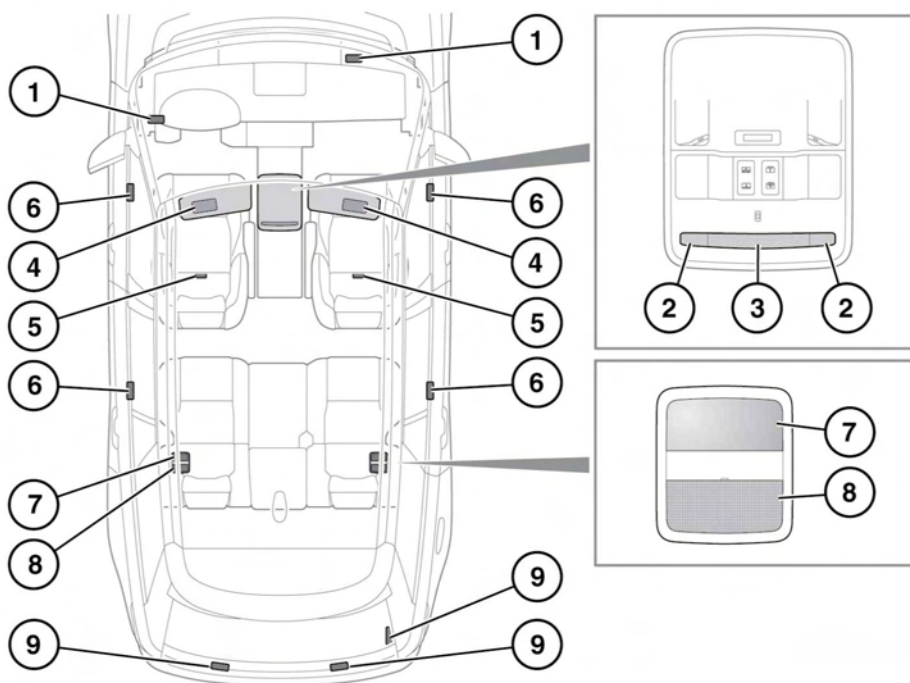


## INTERIOR LIGHTS



E149687

- 1. Front seat footwell lamps:** Automatically illuminate when the doors are opened.  
Unless Auto mode is switched off.
- 2. Front reading lamps:** Touch the left or right hand side of the sensor lens briefly to switch on/off.
- 3. Front courtesy lamp:** Touch the center of the sensor lens briefly to switch on/off or hold for approximately 5 seconds to switch automatic illumination on/off. The lamp will flash to confirm selection.  
In Auto mode the lamps will illuminate when a door is opened.
- 4. Vanity mirror lamp:** Slide the cover open/shut for on/off.
- 5. Rear seat footwell lamps:** Automatically illuminate when the doors are opened.  
Unless Auto mode is switched off.
- 6. Puddle lamps:** Automatically illuminate when the doors are opened.  
Unless Auto mode is switched off.
- 7. Rear reading lamps:** Touch the lens briefly to switch on/off.
- 8. Rear courtesy lamps:** Controlled by the settings of the front interior lamp.
- 9. Loadspace lamps:** Automatically illuminate when the tailgate is opened unless Auto mode is switched off.

### **INTERIOR LIGHTS INTENSITY**

Instrument illumination intensity can be adjusted, while the exterior lamps are turned on. See **266, DRIVER CONTROLS**, Instrument illumination control.

### **AMBIENT LIGHTING**

The LED ambient lighting can be adjusted for color and intensity via the touch screen. The exterior lamps must be turned on while changes are being made via the touch screen. See **78, EXTRA FEATURES**.