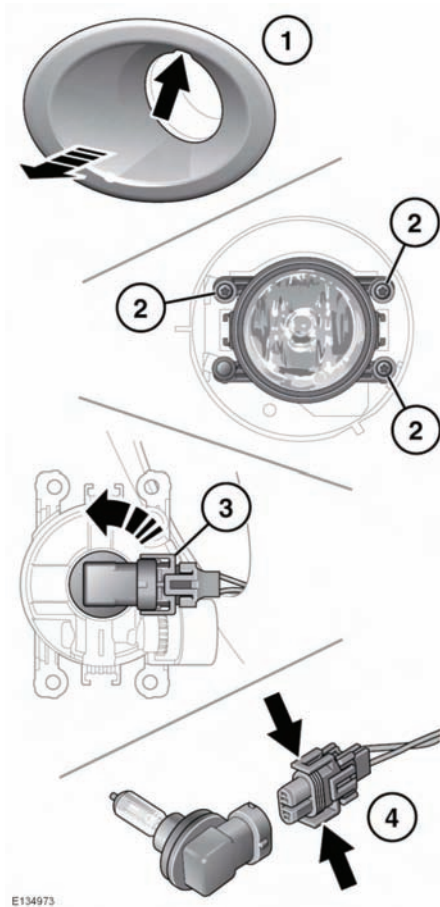
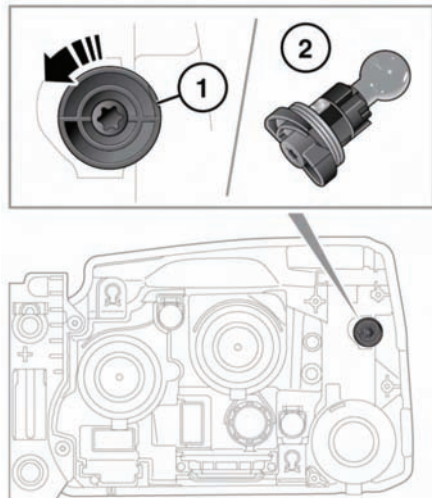


FRONT FOG LAMP BULB REPLACEMENT



1. Using the finger slot at the top of the lamp surround, pull to remove.
2. Undo the three retaining screws, and remove the lamp unit.
3. Rotate the bulb holder (anti-clockwise) and remove from the lamp unit.
4. Press the two clips together, and remove the electrical connector.

DIRECTION INDICATOR BULB REPLACEMENT



1. Rotate the bulb holder 45 degrees anti-clockwise.
2. Remove the bulb assembly from the lamp. Push and twist to remove the bulb.