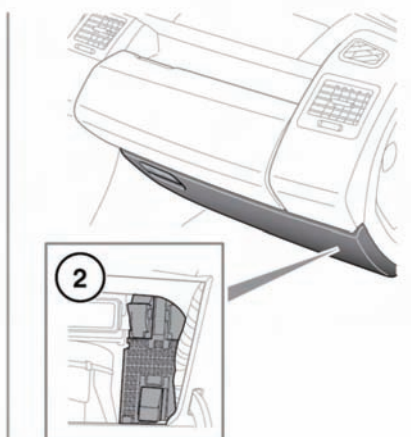
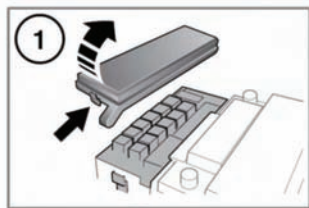


## FUSE BOX LOCATIONS



E135171

1. Engine compartment fuse box.
2. Passenger compartment fuse box.

To access the passenger compartment fuse box, open the glovebox, pinch the top of the support stays and lower the glovebox into the footwell.

A label on the rear of the glovebox shows the circuits protected and the fuse locations.

The engine compartment fuse numbers and positions are shown on the inside of the fuse box cover.

**Note:** Land Rover recommend that relays should only be replaced by qualified persons. Always switch off the ignition, and the affected electrical circuit, before replacing a fuse.

## CHANGING A FUSE

- ⚠ Fit Land Rover approved replacement fuses of the same rating and type, or fuses of matching specification. Using an incorrect fuse, may result in damage to the vehicle's electrical system and can result in a fire.
- ⚠ If the replacement fuse blows after installation, the system should be checked by your Land Rover Dealer/Authorised Repairer.