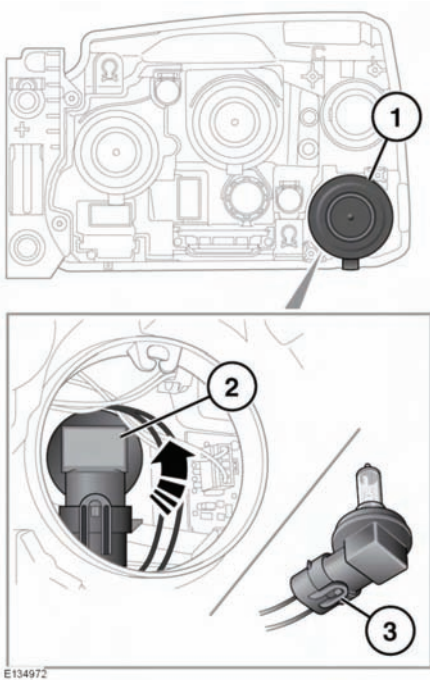
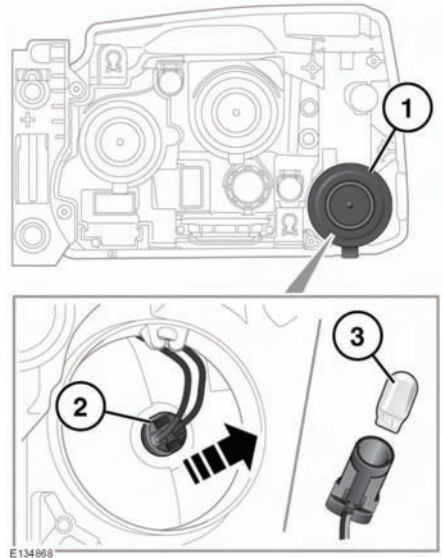


STATIC BENDING BULB REPLACEMENT



1. Twist and lift off the domed cap.
2. Rotate bulb holder and release from lamp.
3. Lift the tab and disconnect the electrical connector to remove.

SIDE LAMP BULB REPLACEMENT



1. Twist and lift off the domed cap.
2. Press the two tabs and pull bulb holder from lamp.
3. Pull bulb from holder to remove.