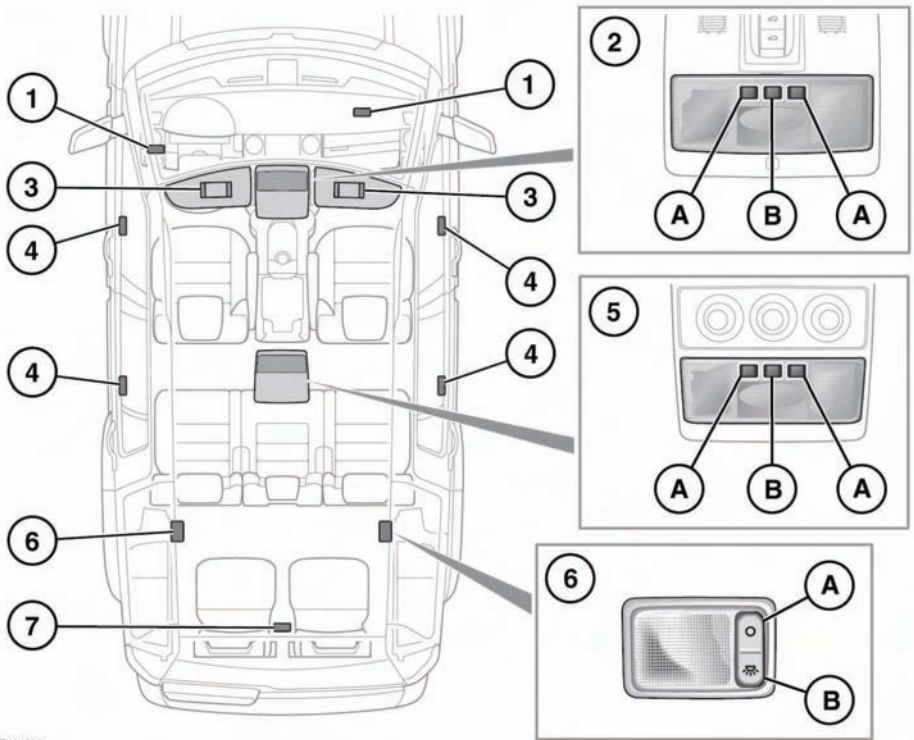


INTERIOR LIGHTS



E134834

1. Footwell lamps: Automatically illuminate when the doors are opened.
2. Map reading/interior lamps:
 - A. Map light controls (on/off).
 - B. Main interior lamp control (on/off/Auto). To activate or deactivate Auto mode, press and hold for longer than 3 seconds. In Auto mode the lamps will illuminate when a door is opened.
3. Sun visor lamps: Switch on or off as required using the switch.
4. Puddle lamps: Automatically illuminate when the doors are opened.
5. Rear interior lamp control:
 - A. Map light controls (on/off).
 - B. Main interior lamp control (on/off/Auto). To activate or deactivate Auto mode, press and hold for longer than 3 seconds. In Auto mode the lamps will illuminate when a door is opened.
6. Third row seating courtesy lamps:
 - A. Press to turn off.
 - B. Press to turn on.
7. Loadspace interior lamp: Automatically illuminates when the tailgate is opened.