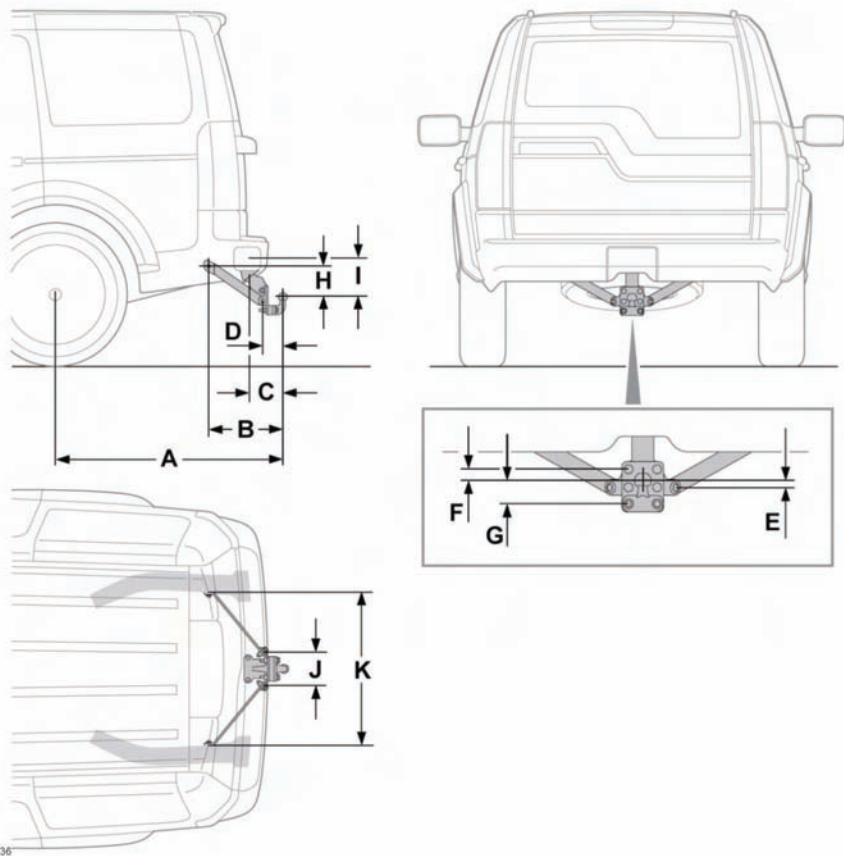


TOW BALL AND MOUNTING POINT DIMENSIONS (Multi-height drop plate)



E134936

Ref.	Dimension	Metric	Imperial
A	Wheel centre to centre of tow ball	1,210 mm	47.64 in.
B	Centre of outer attachment points to centre of tow ball (horizontal)	403.6 mm	15.89 in.
C	Centre of housing bayonet slot tip radius to centre of tow ball	192.4 mm	7.57 in.
D	Centre of inner attachment points to centre of tow ball (horizontal)	124 mm	4.9 in.

Ref.	Dimension	Metric	Imperial
E	Centre of inner attachment points to centre of tow ball (vertical)	20 mm	0.79 in.
F	Centre of upper tow ball plate bolt to centre of tow ball (vertical)	36 mm	1.42 in.
G	Centre of lower tow ball plate bolt to centre of tow ball (vertical)	70 mm	2.76 in.
H	Centre of outer attachment points to centre of tow ball (horizontal)	167.3 mm	6.59 in.
I	Centre of line housing bayonet slot tip radius to centre of tow ball (vertical)	174.3 mm	6.86 in.
J	Distance between inner attachment point centres	180.5 mm	7.10 in.
K	Distance between outer attachment point centres	822.5 mm	32.38 in.