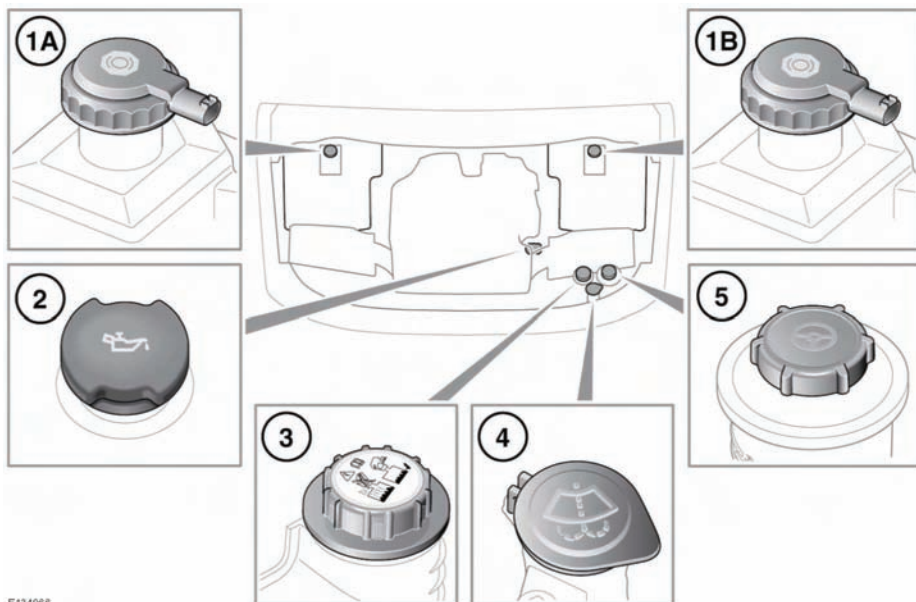


## ENGINE COMPARTMENT OVERVIEW

### 3.0 V6 Diesel and V8 Petrol



E134966

1. Brake fluid reservoir cap:
  - A. Right-hand drive vehicles.
  - B. Left-hand drive vehicles.
2. Engine oil filler cap.
3. Engine coolant filler cap.
4. Windscreen washer fluid filler cap.
5. Power steering fluid filler cap.

**!** Do not drive if there is a possibility that leaked fluid will come into contact with a hot surface, such as the exhaust.