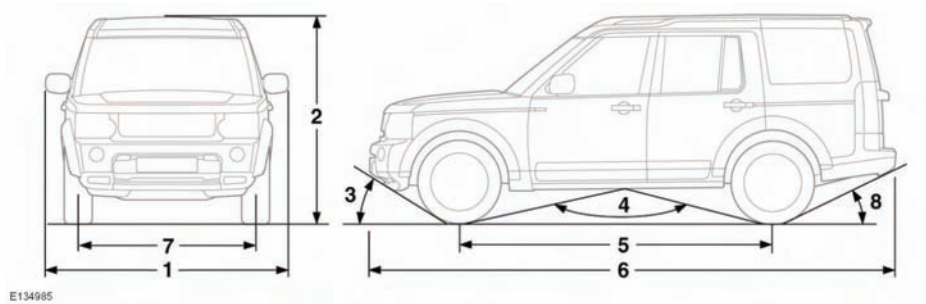


# Technical specifications

## DIMENSIONS



Item	Description	mm (inches)	Degrees
1	Width (including mirrors)	2176 (85.7)	-
2	Overall heights:		
	Suspension set at Standard ride height *	1938 (76.3)	-
	Suspension set at Access height *	1888 (74.3)	-
	Suspension set at Off-road height *	1993 (78.5)	-
3	Approach angle (at kerb weight and off-road height)	-	36.2°
4	Ramp breakover angle (at kerb weight and off-road height)	-	125.4°
5	Wheelbase	2885 (113.6)	-
6	Overall length	4838 (190.5)	-
7	Track - front	1605 (63.2)	-
	Track - rear	1612.5 (63.5)	-
8	Departure angle without tow hitch (at kerb weight plus full size spare tyre and at off-road height)	-	28.1°
	Departure angle with fixed height tow hitch (at curb weight) at Standard ride height	-	15.7°
	Departure angle with fixed height tow hitch (at curb weight) at Off road height	-	18.5°
-	Maximum wading depth at Standard height	600 (23.6)	-
	Maximum wading depth at Off-road height	700 (28)	-