

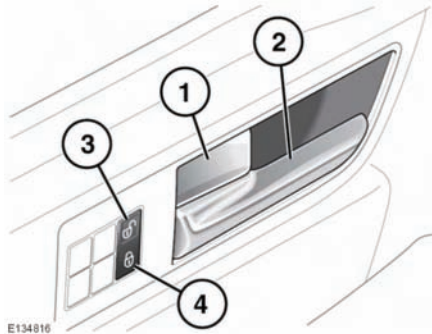
GLOBAL CLOSING



Ensure that no children, pets, or obstructions are in any open aperture before operating global closing. Safety mechanisms are in place to prevent serious injury, however injuries can still occur.

Press and hold the lock button for 3 seconds. The vehicle will single lock and the full alarm will be activated immediately. After 3 seconds any open windows will be closed. This feature can be enabled/disabled via the **Vehicle set-up** menu, see **56, INSTRUMENT PANEL MENU**.

DOOR LOCKS AND RELEASE LEVERS



From inside the vehicle, all the doors can be locked by pressing either the driver or passenger lock lever (1).

Each rear door can be individually locked by pressing the appropriate locking lever.

To unlock and open a front door, pull the door handle (2). To unlock and open a rear door, first operate the lock lever, then pull the door handle.

Master lock/unlock buttons: To lock (4) or unlock (3) the vehicle press the respective button on the door.

Note: The master unlock button is inhibited when the vehicle is locked with the Smart Key.

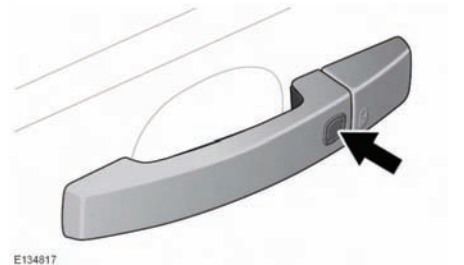
MISLOCK

When attempting to lock the vehicle, if one or more of the doors, the bonnet or the tailgate are not fully closed, the vehicle will fail to lock and the horn will emit two tones. The vehicle will not fully lock until all doors, the bonnet and the tailgate are completely closed.

KEYLESS LOCKING



Never double lock the vehicle with people, children or pets inside. In the event of an emergency they would be unable to escape, and the emergency services would be unable to release them quickly.



The vehicle will not lock automatically.

- To single lock the vehicle press the keyless locking button (arrowed) on the door handle once. The hazard warning lamps will flash once to confirm. In some markets an audible warning will sound.
- To double lock the vehicle, press the keyless locking button (arrowed) twice within 3 seconds. The hazard warning lamps will flash twice to confirm (with a long second flash). In some markets a double audible warning will sound.

Note: Keyless locking will only activate if the Smart Key is detected outside the vehicle. If no Smart Key is present when the button is pressed, two warning tones will sound.