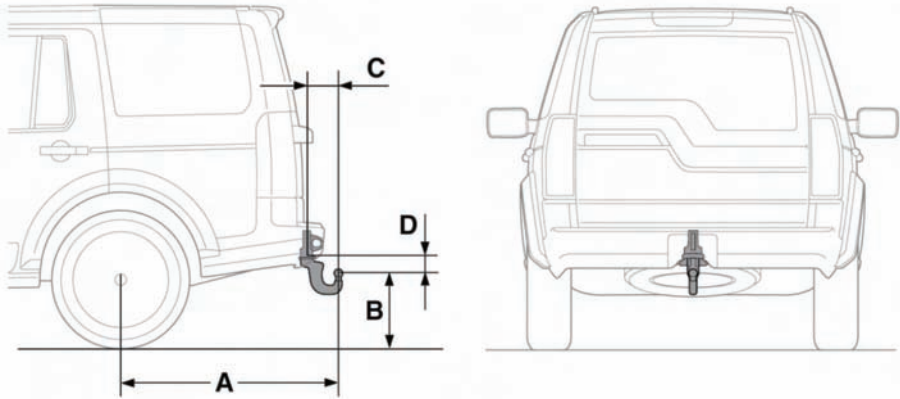


TOW BALL AND MOUNTING POINT DIMENSIONS (Fixed tow ball)



E134934

Ref.	Dimension	Metric	Imperial
A	Wheel centre to centre of tow ball	1,190 mm	46.9 in.
B	Ground to centre of tow ball	409 mm	16.1 in.
C	Centre of tow ball to tow bar attachment	170 mm	6.7 in.
D	Centre of tow ball to tow bar attachment	124 mm	4.9 in.

Note: Dimensions refer to towing equipment officially released by Land Rover.

Note: Australia only: The optional drawbar has significantly different dimensions and is rated as a Class IV. See **74, TRAILER HITCH (Australia only)**.