
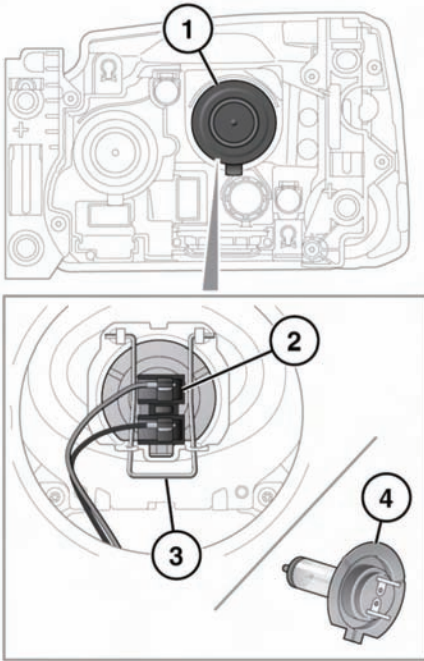


3. Pull off the electrical connector and remove the bulb unit.
4. Insert the new bulb unit and reverse the above procedure. Ensure that the lugs on the cap are in contact with the bulb base.

HEADLAMP BULB REPLACEMENT - HALOGEN LOW BEAM


-  Take care not to touch this type of bulb with your fingers; always use a cloth to handle them. If necessary, clean the bulb with methylated spirits to remove fingerprints.

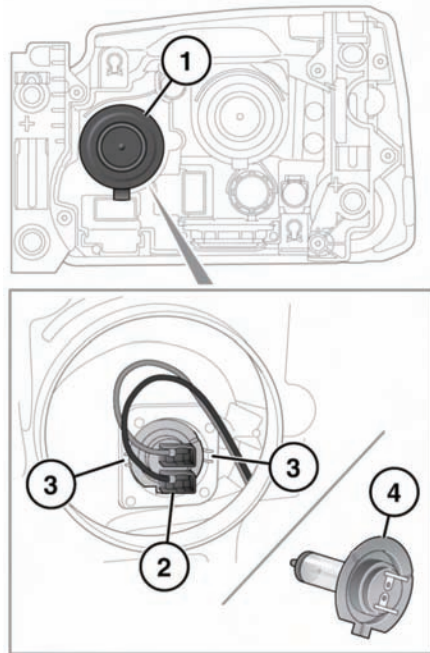


1. Twist and lift off the domed cap.
2. Pull off the electrical connector.
3. Release the spring clip securing the bulb to the lamp and remove the bulb.

4. Insert the new bulb and repeat the above procedure in reverse order.

HEADLAMP BULB REPLACEMENT - HALOGEN HIGH BEAM

-  Take care not to touch this type of bulb with your fingers; always use a cloth to handle them. If necessary, clean the bulb with methylated spirits to remove fingerprints.



E134971

1. Twist and lift off the domed cap.
2. Pull off the electrical connector.
3. Release the bulb from the retaining tags and remove bulb.
4. Insert the new bulb and repeat the above procedure in reverse order.