




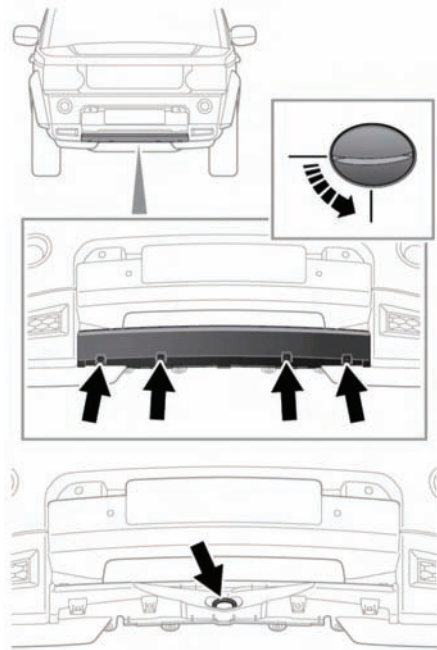
## TOWING EYES

-  The towing eyes at the front and rear of the vehicle are designed for on-road recovery only. If they are used for any other purpose, it may result in vehicle damage and serious injury.
-  Remove the front and rear towing eye covers before driving off-road, to prevent damage or loss.

## OFF-ROAD RECOVERY

-  If the towing eyes are to be used for off-road recovery, it is essential that off-road driver training covering recovery techniques is undertaken. Further information on off-road driver training can be found at <http://www.landroverexperience.com>

## ATTACHING THE FRONT TOWING EYE



E135509

The front towing point is located behind a removable cover in the lower front bumper.

1. Rotate each of the fasteners 90 degrees anti-clockwise with a coin (or similar).
2. To remove the cover, lower the top edge and then pull the cover forward.
3. To refit, offer up the cover and ensure the two lugs at the bottom edge engage with the holes in the body panel.
4. Secure the cover in position by rotating each of the fasteners 90 degrees clockwise.