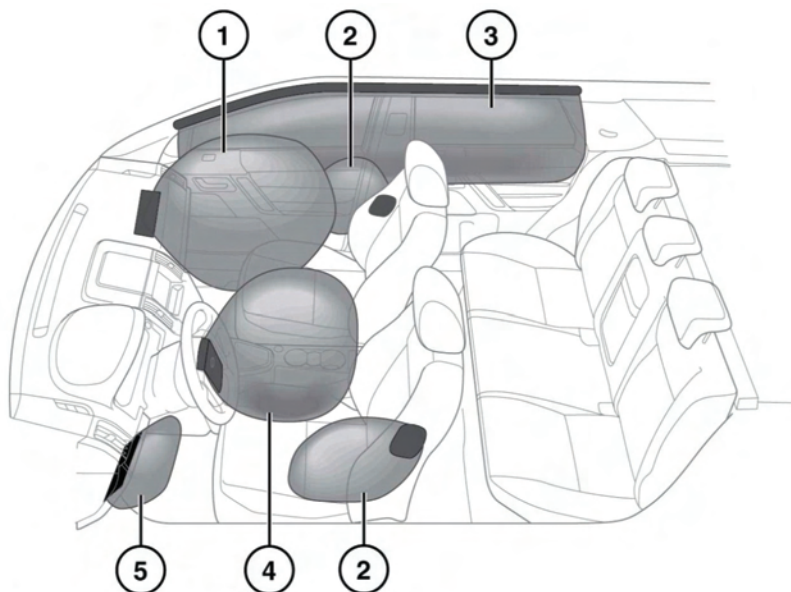


AIRBAGS



E136710

1. Passenger front airbag.
2. Side airbags.
3. Main curtain airbag.
4. Driver's front airbag.
5. Knee bolster airbag.

Note: The general location of airbags fitted to the vehicle are marked by the word AIRBAG.

Always contact your Dealer/Authorised Repairer if:

- An airbag inflates.
- The front or sides of the vehicle are damaged.
- Any part of the Airbag Supplementary Restraint System (SRS) shows signs of cracking or damage, including trim covering airbags.
- The amber airbag warning lamp illuminates.

FRONT AIRBAGS

The front passenger and driver air bags are able to deploy in two stages, depending on the severity of the frontal impact. In a severe impact, the air bags inflate fully to offer maximum protection. In a lesser impact, full deployment is not required, so the airbags are partially inflated. The knee bolster airbag will always fully inflate.

SIDE AND CURTAIN AIRBAGS

The seat mounted side airbags are designed to protect the thorax region of the torso and will deploy only in the event of a side impact and then, only on the side of the impact.

The curtain air bags are deployed in side impact and rollover events, providing greater protection from serious head injuries. They deflate at a slower rate than the front or side airbags.