
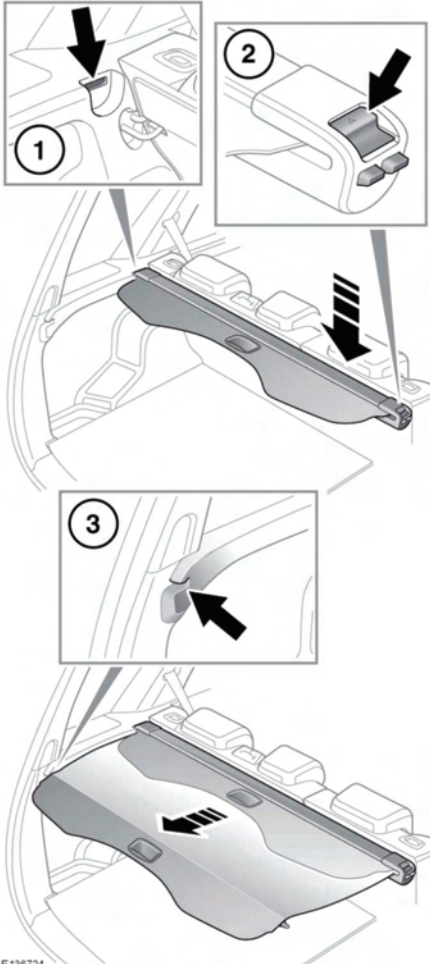


LOADSPACE COVER


 **Never place objects on top of the luggage cover. During an accident or sudden manoeuvre, loose objects can cause serious injury or death.**



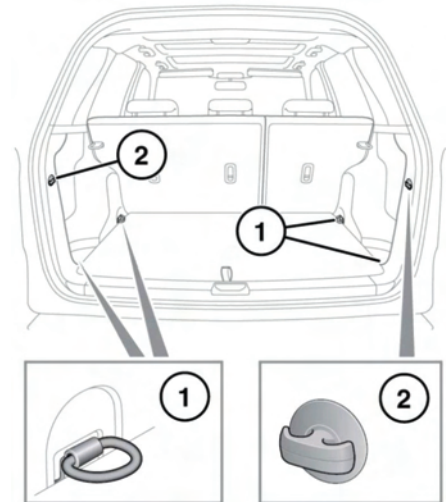
E136724

1. Insert the location peg on the left-hand end of the luggage cover into the slot.

2. Lower the right-hand end into position by pulling back the release button.
Ensure that the release button returns to the locked position when the cover is in position.
3. Pull the luggage cover blind towards the rear of the vehicle. Engage the end pegs into the recesses provided in the load space side trims.

 **Do not store the loadspace cover loose in the vehicle.**

LUGGAGE ANCHOR POINTS



E139445

 **All items carried in the luggage area should be properly secured.**

1. Load securing rings.
 - To assist in safely securing large items of luggage, four fixing points are located in the rear loadspace floor.