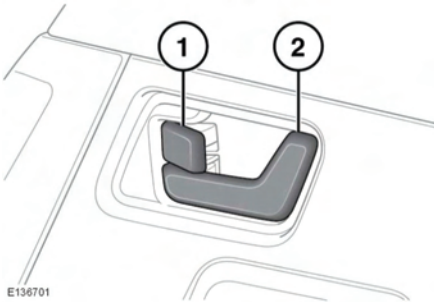


DOOR LOCKS AND RELEASE LEVERS



From inside the vehicle, all the doors can be locked by pressing either the driver or passenger lock lever **(1)**.

Each rear door can be individually locked by pressing the appropriate locking lever.

To unlock and open a front door, pull the door handle **(2)**. To unlock and open a rear door, first operate the lock lever, then pull the door handle.

MISLOCK

When attempting to lock the vehicle, if one or more of the doors, the bonnet or the tailgate are not fully closed, the vehicle will fail to lock and the horn will sound. The vehicle will not fully lock until all doors, the bonnet and the tailgate are completely closed.