


# Load carrying


## 2. Bag hooks.

- The bag hooks should only be used to secure light items such as shopping bags.

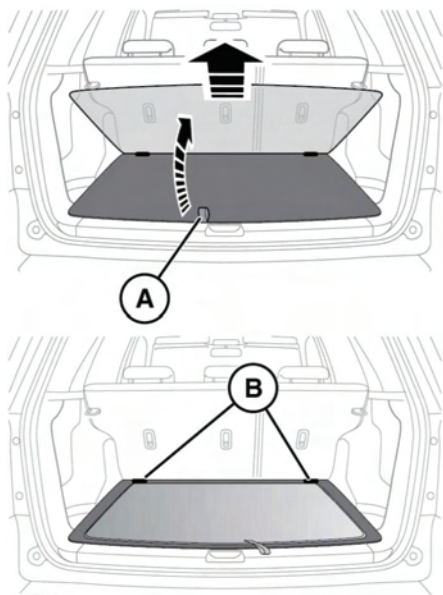
**Note:** A range of approved luggage retention accessories are available from your Land Rover Dealer/Authorised Repairer.

## LOADSPACE FLOOR

 **When removing or replacing the loadspace floor, take care to avoid getting your hands or fingers trapped between the floor panel and the vehicle.**

 **When removing or replacing the loadspace floor ensure that children and pets are kept at a safe distance to avoid injury.**

The loadspace floor is reversible to allow a choice of carpeted or hard surfaces to be made.



E139446

To reverse the loadspace floor:-

1. Using the finger loop (**A**), raise the floor panel.
2. Pull the panel towards the rear of the vehicle to release it from the retaining channels (**B**).
3. Reverse the floor, relocate in the retaining channels (**B**) and lower in to position.