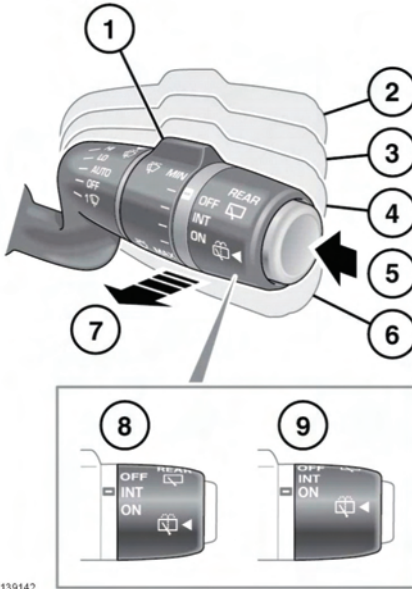


WIPER OPERATION



E139142

1. Rotate the collar to adjust the intermittent period. The intermittent delay period will vary and is controlled by either vehicle speed or a rain sensor. The control must be in position (4) to be operational.
2. High speed wipe.
3. Low speed wipe.
4. In this position intermittent wipe is controlled by either a rain sensor or vehicle speed. The rain sensor is located at the upper edge of the windscreen becomes active and will determine when the wipers are required to operate. If the rain sensor is not enabled by your Land Rover Dealer/Authorised Repairer, intermittent wipe will operate in conjunction with the setting of control (1).

5. Rear window wash/wipe. Press and hold to operate the rear washer and wiper. The wiper will operate for two further wipes after the button is released. After a few seconds a drip wipe will clear any residual water.
6. Single wipe of windscreen, or hold down for further continuous wipes.
7. Windscreen wash/wipe. Pull and hold to operate the front washers and wipers. The wipers will operate for three further wipes after the stalk is released. After a few seconds a drip wipe will clear any residual water.
8. INT - rear wiper, intermittent operation. The intermittent delay period is controlled by adjusting the collar (1). The delay period and number of wipes will then be adjusted automatically depending on vehicle speed.
9. ON - rear wiper, continuous operation.



Do not operate the windscreen wipers on a dry screen.



In freezing or very hot conditions, ensure that the wipers have not stuck to the glass.



Remove any snow, ice or frost from the screen, around the wiper arms and blades and the screen scuttle, before operating the wipers.

Note: Front wipers will not operate while the bonnet is open and vehicle speed is below 3 km/h (2 mph).