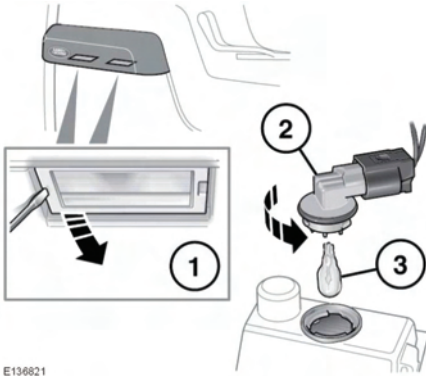


LICENSE PLATE LAMP BULB REPLACEMENT



E130821

Follow the steps illustrated. Insert a new bulb and refit the components.