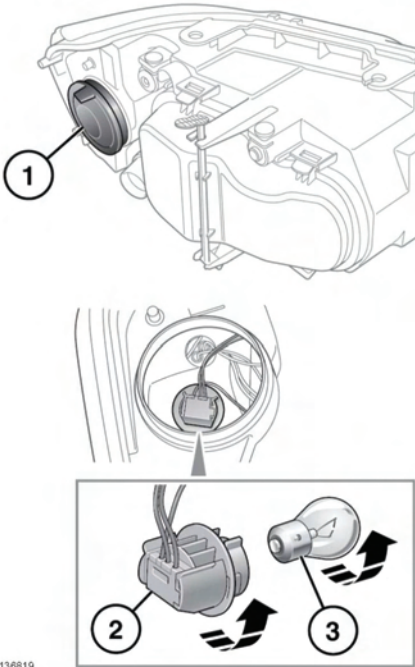


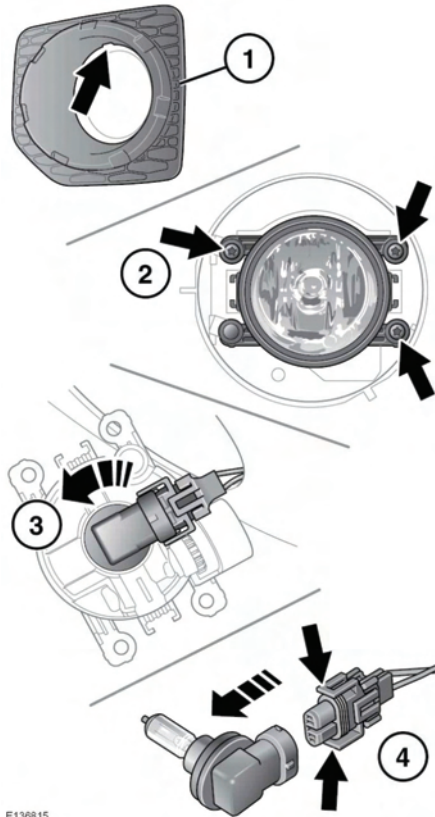
DIRECTION INDICATOR BULB REPLACEMENT



E136819

1. Remove the cover.
2. Twist the indicator bulb holder, and remove it from the lamp unit.
3. Press the bulb into the holder, then twist it and remove.

FRONT FOG LAMP BULB REPLACEMENT



E136815

1. Using the slot at the top of the lamp surround, lever out with a suitable implement to remove.
2. Undo the three retaining screws, and remove the lamp unit.
3. Rotate the bulb holder (anticlockwise) and remove from the lamp unit.
4. Press the two clips together, and remove the electrical connector.