

## LABEL LOCATIONS

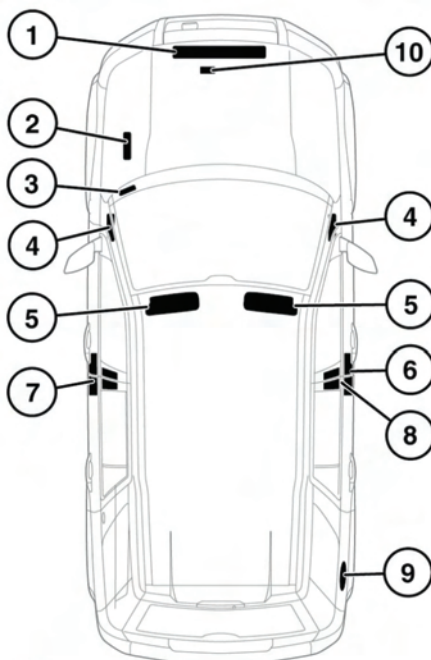


Warning labels attached to your vehicle bearing this symbol mean: Do not touch or adjust components until you have read the relevant instructions in the handbook.



Labels showing this symbol indicate that the ignition system utilises very high voltages. Do not touch any ignition components while the starter switch is turned on.

Additional information labels may also be found at the following locations:



E147422

1. Bonnet locking platform - Air conditioning label
2. Top of battery - Battery warning symbols
3. The VIN is stamped on a plate which is visible through the lowest part of the left side of the windscreen.  
*Note: If you need to communicate with a Dealer/Authorised Repairer, you may be asked to quote the VIN number.*
4. End of fascia (passenger side) - Passenger airbag label.
5. Sun visor - Airbag label, vehicle handling label.
6. Base of right-hand B pillar - Tyre pressure label, airbag warning label.
7. Left-hand B pillar - Airbag warning label, Vehicle Identification Number plate.