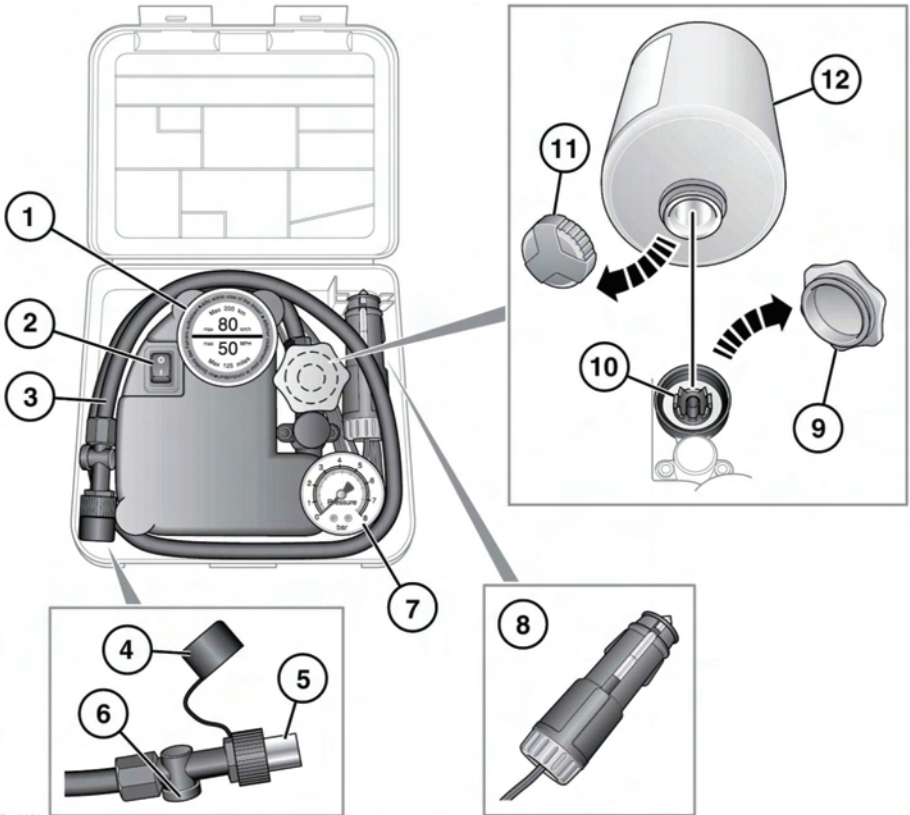


TYRE REPAIR KIT OVERVIEW



E142252

1. Maximum speed label. 80 km/h (50 mph).
2. Compressor on/off switch. (I = on, 0 = off).
3. Tyre inflation hose.
4. Inflation hose protective cap.
5. Inflation hose connector.
6. Pressure release valve.
7. Tyre pressure gauge.
8. Power cable connector.
9. Sealant bottle receiver cap (orange).
10. Sealant bottle receiver.
11. Sealant bottle cap.

12. Sealant bottle.

USING THE TYRE REPAIR KIT



Avoid skin contact with the sealant which contains natural rubber latex.

Do not unscrew the sealant bottle from the receiver until it is empty, as sealant will leak out.