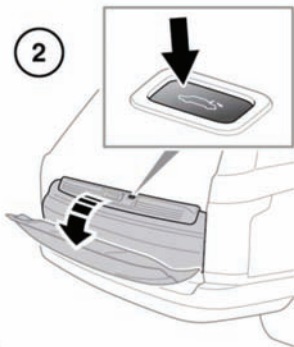
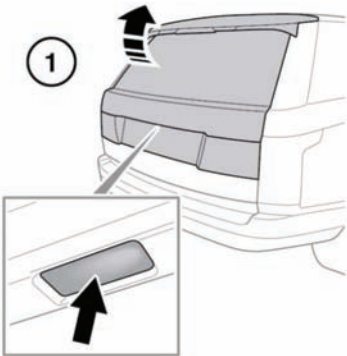


## OPENING AND CLOSING THE TAILGATE

- ❗ Ensure there is minimum space of 1.0 metre (39 in) above and at the rear of vehicle before operating the tailgate. Insufficient space may result in damage to the vehicle.
- ❗ Do not operate the tailgate if a cycle rack is fitted to the tailgate. Remove any cycles and/or racks before operating the tailgate.



E140867

1. Upper tailgate release. Lift the upper tailgate to open.

**Note:** When using the upper tailgate external release switch, all doors must be unlocked and the gear selector in either Park (P) or (N) position.

2. Lower tailgate release: only visible when the upper tailgate is open. Pull the lower tailgate downwards to open.

The upper tailgate can also be released using the following methods.

- The interior tailgate release switch. See **276, DRIVER CONTROLS.**
- The Smart Key tailgate release switch. See **4, UNLOCKING THE VEHICLE.**

**Note:** The tailgate will not open if the vehicle is travelling at or above approximately 5 km/h (3 mph).