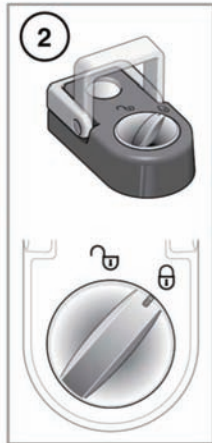
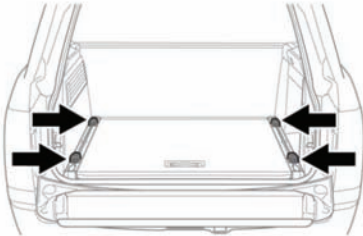


From the rear seat, push firmly down on the furthest edge of the cover while pulling it towards the rear seats. The cover will concertina fold allowing access to the loadspace area.

5. To refit the cover, place the assembly in position, engage the pins in the sockets and press firmly to lock the assembly in position.
6. If required, pull the outer edge towards the rear to cover the loadspace area.

LUGGAGE ANCHOR POINTS



E 142955



All items carried in the luggage area should be properly secured.

1. To assist in safely securing large items of luggage, four lashing eyes are located in the rear loadspace floor.
2. If adjustable lashing eyes are fitted, first turn the locking button anti-clockwise to unlock. Press the button and slide to the required position in the luggage rail. Release the button to latch into position. Move the lashing eye slightly until you hear a click. The lashing eye is now secured. Turn the button clockwise to lock.

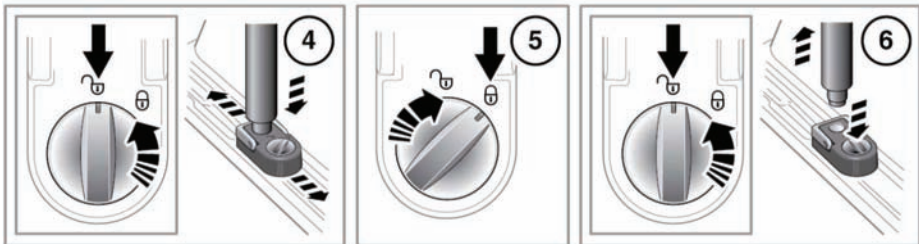
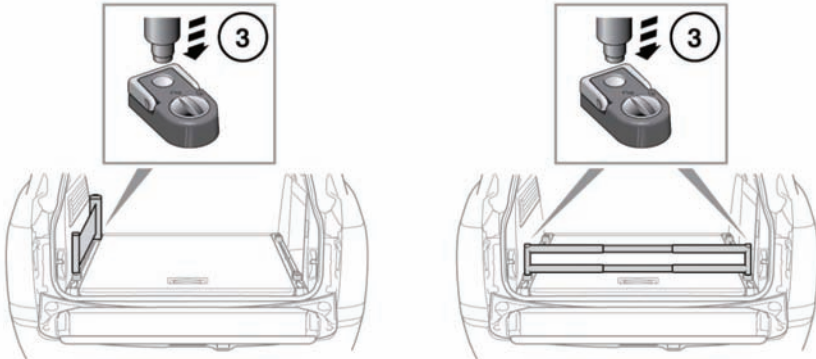
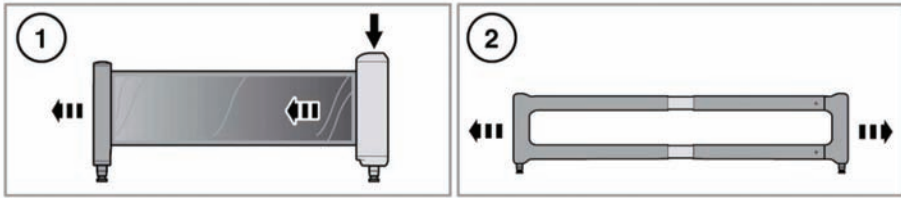
Note: A range of approved luggage retention accessories are available from your Land Rover Dealer/Authorised Repairer.

LUGGAGE DIVIDER

A luggage divider kit is provided to assist with safely securing items of luggage to the loadspace floor.

Floor mounted luggage rails provide a full width mounting channel that will accommodate a flexible retracting band and/or a solid telescopic divider to retain soft and hard luggage of all shapes and sizes.

Load carrying



E143014

1. Press and pull to adjust length required of retracting band.
2. Adjust divider to length required.
3. Unlock required lashing eye, attach the luggage band/divider to lashing eye.

4. With the lashing eye in the unlocked position, press the button and slide to the required position in the luggage rail.
5. Lock lashing eye when in required position.
6. To remove luggage band/divider from lashing eye, unlock lashing eye and press the lock/unlock button and release.