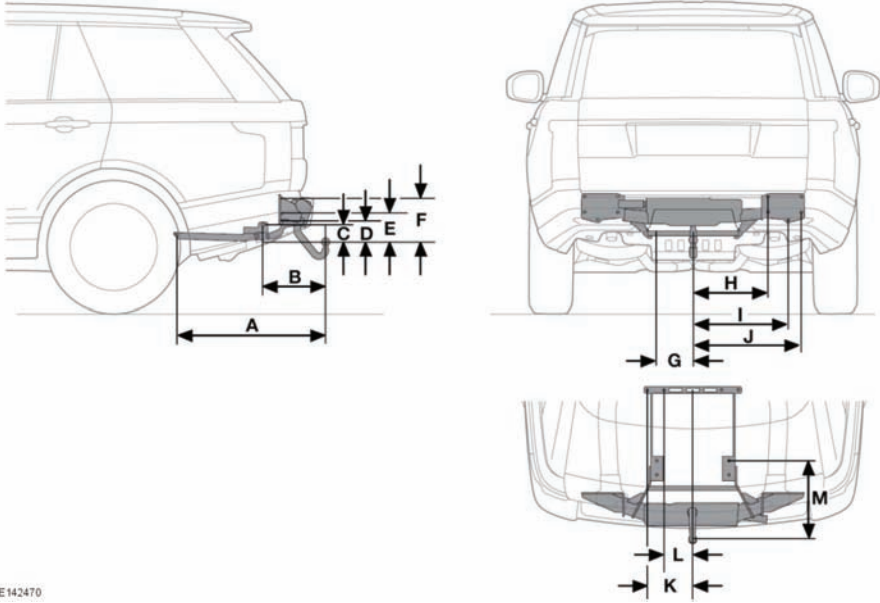


## TOW BALL AND MOUNTING POINT DIMENSIONS (Powered tow bar)



E142470

Dimension	Metric	Imperial
A	88.3 mm	3.5 in.
B	371 mm	14.6 in.
C	103 mm	4 in.
D	128 mm	5 in.
E	170 mm	6.7 in.
F	261 mm	10.3 in.
G	210 mm	8.3 in.
H	442 mm	17.4 in.
I	560 mm	22 in.
J	637 mm	25 in.
K	270 mm	10.6 in.
L	170 mm	6.7 in.
M	464 mm	18.3 in.