

## INSTALLING TETHER ANCHORAGE CHILD RESTRAINTS



Child restraint anchorages are designed to withstand only those loads imposed by correctly fitted child restraints. Under no circumstances are they to be used for adult seat belts, harnesses or for attaching other items or equipment to the vehicle.



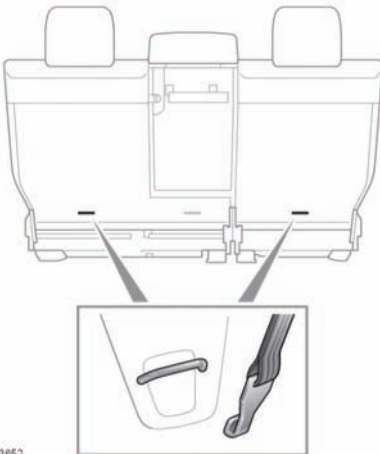
Always follow the child seat or restraint system manufacturer's instructions when fitting tether straps.



When fitting a child seat or restraint system, always pass the tether strap over the top of the seat back and beneath the head restraint.



If a child seat or restraint system is to be fitted to the centre seating position, the centre armrest must be in the stowed position (folded into the seat).



E143852

Your vehicle is equipped with anchorage points on the back of the second row seat frames. These should be used to attach straps from child seats or restraint systems.

- Install the child restraint securely in one of the rear seating positions.
- Pass the tether strap over the seat back and beneath the head restraint for the outer seat positions.

**Note:** For the centre seat position, pass the tether strap over the fixed head restraint.

- Attach the tether strap hook to the tether anchor point on the back of the seat. Ensure that the tether strap hook is facing the correct way (see illustration).
- Tighten the tether strap according to the child restraint manufacturer's instructions.

**Note:** A tether anchorage is provided for the centre seat position. Do not use this anchor position with an ISOFIX child seat.

## BOOSTER SEATS

In a situation where a child is too large to fit into a child safety seat but is still too small to safely use just the three point belt, a booster seat is recommended for maximum safety. Follow the manufacturer's instructions for fitting and use, then adjust the seat belt to suit. See **32, CHILD SEAT POSITIONING.**