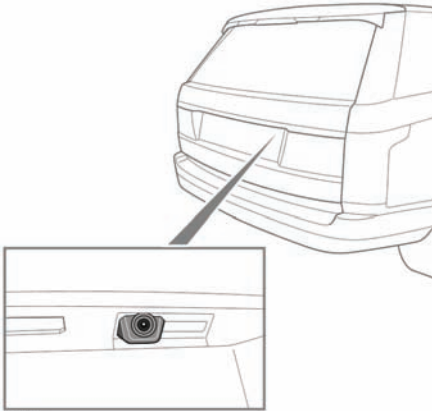


REAR CAMERA



It remains the driver's responsibility to detect obstacles and estimate the vehicle's distance from them when reversing.



E138926

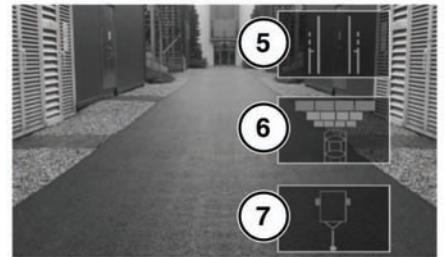
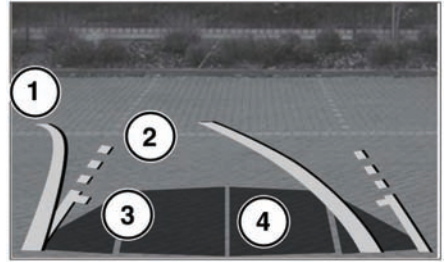
When reverse gear is selected, the screen automatically displays a wide angle, colour image from the rear of your vehicle.

The rear view camera system provides a rear view image to assist in reversing the vehicle. Overlaid on the image are reversing guidelines.

Note: A return icon is displayed on the touch screen. Touch this to revert to the previously viewed screen.

Rear view camera display on the touch screen will discontinue when either of the following apply:

- Drive is selected for longer than 15 seconds.
- Drive is selected and/or vehicle speed is greater than 18 km/h (11 mph).



E145190

1. Solid line: The projected path based on current steering wheel position.
2. Dotted line: The safe working width of the vehicle (including exterior mirrors).
3. Tailgate access guideline: Do not reverse beyond this point if tailgate access is required.
4. Parking sensor activation: A coloured area appears, to indicate which rear sensor(s) has been activated.
5. User option. Touch to enable/disable (1), (2) and (3).
6. User option. Touch to enable/disable (4) Parking sensor.
7. User option. Touch to enable/disable Hitch Assist guidance lines.