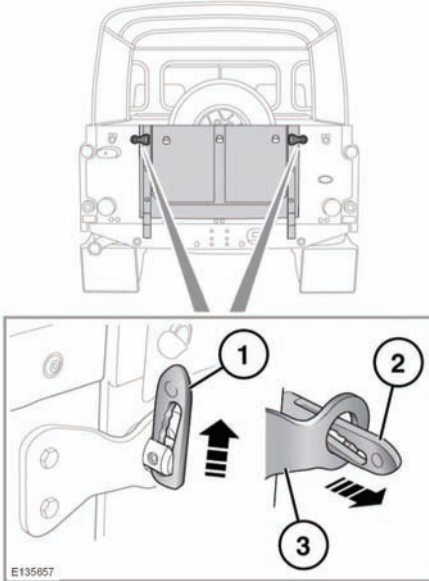


Entering the vehicle

OPENING AND CLOSING THE TAILGATE

⚠ The tailgate is not a load bearing surface.

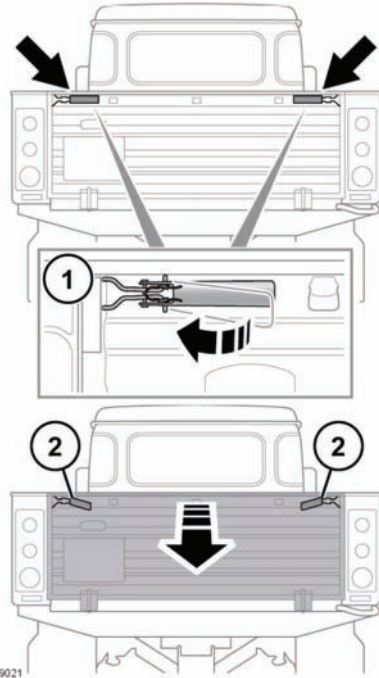
Standard pick-up



To unlatch the tailgate:

1. Slide the latch plates up to their highest position.
 2. Pivot the latch plates down through 90 degrees.
 3. Pull the tailgate over both the latch plates.
- Reverse the procedure to close the tailgate.

High capacity pick-up



1. Lever the latches outwards, toward the sides of the vehicle.
 2. Hold the latches open and carefully lower the tailgate.
- Reverse the procedure to close the tailgate.

EMERGENCY KEY ACCESS (EKA)

In the event of a remote control failure, follow the procedure to enter a unique four digit code. This will disarm the alarm system and re-mobilise the engine.

The code number will be recorded on the Security card. Do not leave this card in the vehicle.