

## LABEL LOCATIONS



Warning labels attached to your vehicle bearing this symbol mean: Do not touch or adjust components until you have read the relevant instructions in the handbook.

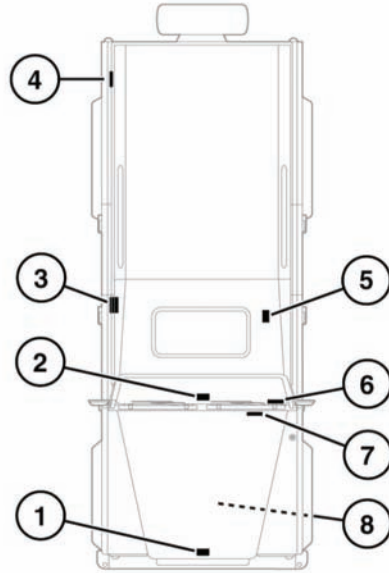


Labels showing this symbol indicate that the ignition system utilises very high voltages. Do not touch any ignition components while the starter switch is turned on.

Labels are attached to your vehicle at several positions. These are applied to draw your attention to important subjects, e.g. tyre pressures, engine compartment hazards, etc.

Additional information labels may also be found at these locations.

1. Fan cowl - Fan warning label, air conditioning label.
2. Facia - Transmission label.
3. Right-hand B pillar - Vehicle Identification Number label. Tyre pressure label. Tyre pressure label with vehicle build date (Australia). Jacking label. Maximum weights.
4. Fuel filler cap - Fuel specification label
5. Top face of battery - Battery warning symbols.
6. Inside windscreen - Vehicle Identification Number label.
7. Fixed plate under bonnet - Vehicle Identification Number.
8. Left side engine crankcase viewed from under the vehicle - Engine model and Identification Number.



E135751

It is important that you are familiar with these subjects to ensure that your vehicle and its features are used safely.