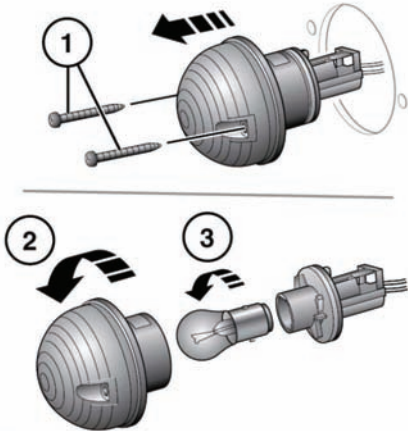


SIDE LAMP BULB REPLACEMENT



E135731

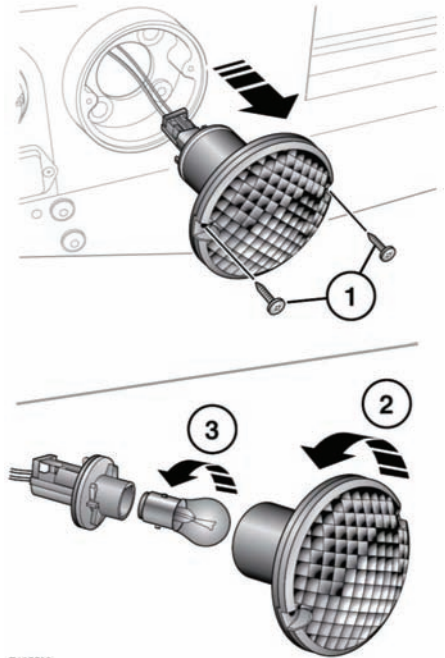
With the headlamp unit removed:-

1. Remove the retaining screws and withdraw the unit.
2. Turn the lens counterclockwise to release the lamp unit.
3. Press the bulb into the unit, then turn it and remove.

DIRECTION INDICATOR BULB REPLACEMENT

This procedure is identical to the side lamp bulb replacement procedure. See **73, SIDE LAMP BULB REPLACEMENT**.

REAR LAMP BULB REPLACEMENT



E135732

To remove the fog lamp or reversing lamp:-

1. Remove the retaining screws and withdraw the unit.
2. Turn the lens counterclockwise to release the lamp unit.
3. Press the bulb into the unit, then turn it and remove.

The procedure for replacing the tail, stop or indicator lamp bulbs is identical to the side lamp bulb replacement procedure. See **73, SIDE LAMP BULB REPLACEMENT**.