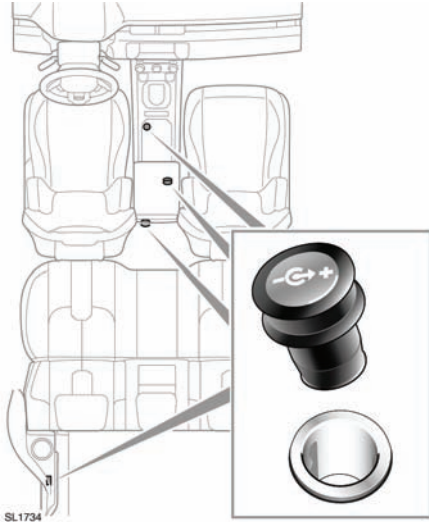


## AUXILIARY POWER SOCKETS



- ⚠ Only use Land Rover approved accessories. Using any other equipment may damage the vehicle's electrical system and/or cause battery discharge. If you are in any doubt contact a Land Rover Dealer/ Authorised Repairer.
- ⚠ The engine should be running when using accessories for long periods. Failure to do so can discharge the battery.

**Note:** Power sockets can be used to power approved accessories that use a maximum of 120 Watts.