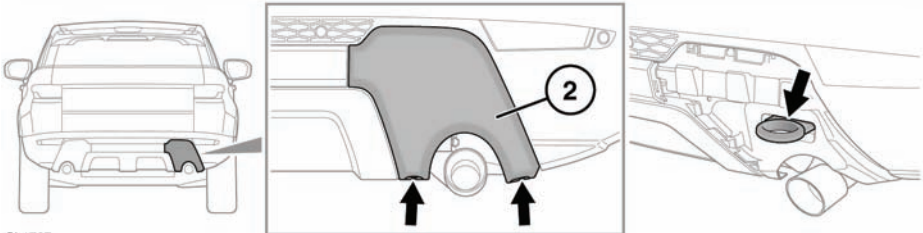
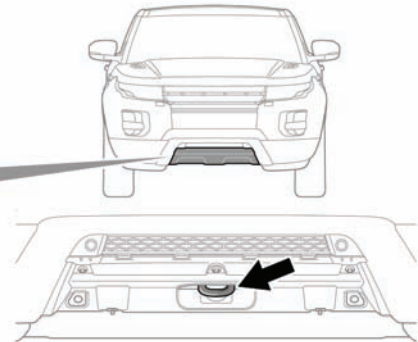
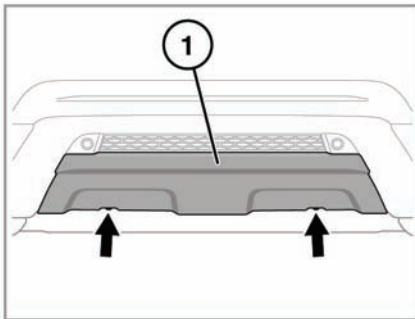


## RECOVERY METHOD

The method for recovery/ transportation of the vehicle is on a transporter or trailer designed for that purpose.

Ensure that transportation is carried out by suitably qualified person and that the vehicle is secured correctly.



SL1787

The towing eyes are located behind panels in the bumpers. Panel design will vary depending on the vehicle specification. To use the towing eyes:

1. Front bumper - rotate the two fasteners 90 degrees counter clockwise. Pull the panel away from the front bumper.
2. Rear bumper - rotate the two fasteners 90 degrees counter clockwise. Pull the panel away from the rear bumper.

## TOWING EYES



**The towing eyes at the front and rear of the vehicle are designed for on-road recovery only. If they are used for any other purpose, it may result in vehicle damage and serious injury.**

3. If the Dynamic pack is fitted, the exhaust finisher will also require removal before the towing eye can be used.

Installation of the panels is the reverse of removal.



**Remove the towing eye covers before driving off-road, to prevent damage or loss.**