

3. Press **OK** to select the track for play or a folder to open.

MP3 REPEAT AND SHUFFLE

When an MP3 CD is playing, playback options include **Repeat** and **Shuffle**.


PORTABLE MEDIA CONNECTIONS

Portable devices can be connected to the vehicle media hub. Device types include:

- USB mass storage devices (e.g. a memory stick). Devices must use FAT or FAT32 file format.
- iPod (iPod Classic, iPod touch, iPhone and iPod Nano are supported - full functionality for older devices cannot be guaranteed). iPod Shuffle functionality cannot be guaranteed.
- Auxiliary device (personal audio, MP3 players, all iPods).
- Devices with Bluetooth® connectivity. Devices must support A2DP and AVRCP Bluetooth® protocols).

Note: iPod® is a trademark of Apple Computer Inc., registered in the US and other countries.

When connecting a portable storage device, use the **AUX (5)** button. Many of the controls are similar to those available for CD play.

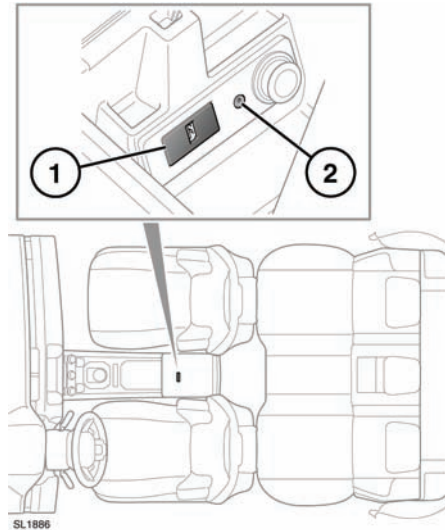
-  Please disconnect your iPod when leaving the vehicle. Failure to do so may result in the iPod battery discharging.

To maximise playback quality, use lossless compression for any media files on iPod. Failing this, it is recommended that compressed files utilise a minimum bitrate of 192 kbps (a higher bitrate is strongly recommended).

For media files delivered via USB or MP3 players, the highest compression rate supported, is 320 kbits per second (kbps). If anything less than 128 kbps is used, Digital Signal Processing (DSP) functionality may be lost.

Note: Some MP3 players may have their own file system that is not supported by this system. To use your MP3 player, you must set it to USB Removable Device or Mass Storage Device mode. Only music that has been added to the device in this mode can be played.

CONNECTING A DEVICE



1. USB/iPod socket.
2. 3.5 mm AUX socket.

Connect the device into the appropriate socket.

Note: Use the cable supplied with your media device to connect to the USB socket.