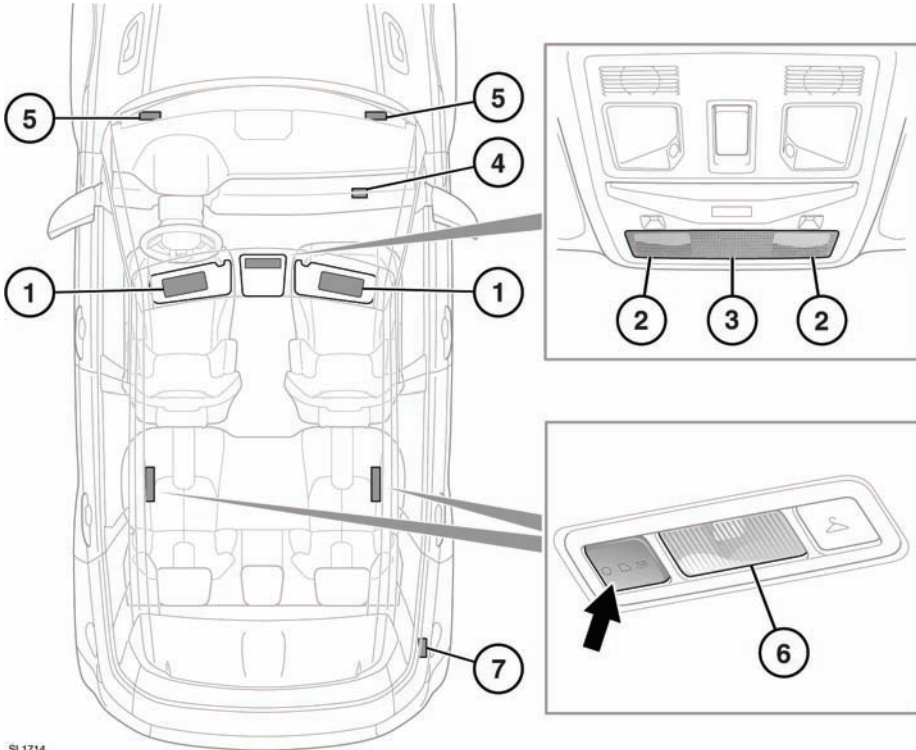


## INTERIOR LIGHTS LOCATIONS



SL1714

1. Sun visor lamps. Illuminate when the vanity mirror is opened.
2. Map reading lamps. Move a finger close to (or touch) the relevant lens to switch on/off.

**Note:** If you are wearing gloves, it may be necessary to touch the lens to operate the lamps.

3. Front interior lamp. Illuminates when the doors are unlocked and extinguishes 60 seconds after all doors are closed, when the engine starts or when the vehicle is locked. Move a finger close to (or touch) the lens to switch on and off manually. Touch the lens for two seconds to deactivate/activate automatic illumination.
4. Glove box lamp. Illuminates when the glove box is opened.
5. Footwell lamps. Illuminate when the doors are unlocked and extinguish 60 seconds after all doors are closed, when the engine starts or when the vehicle is locked.